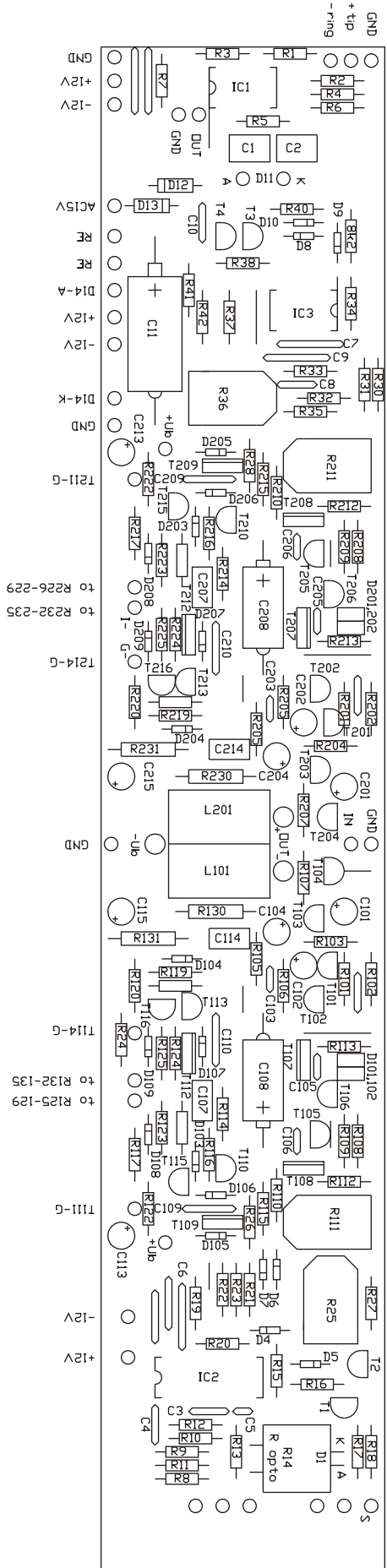
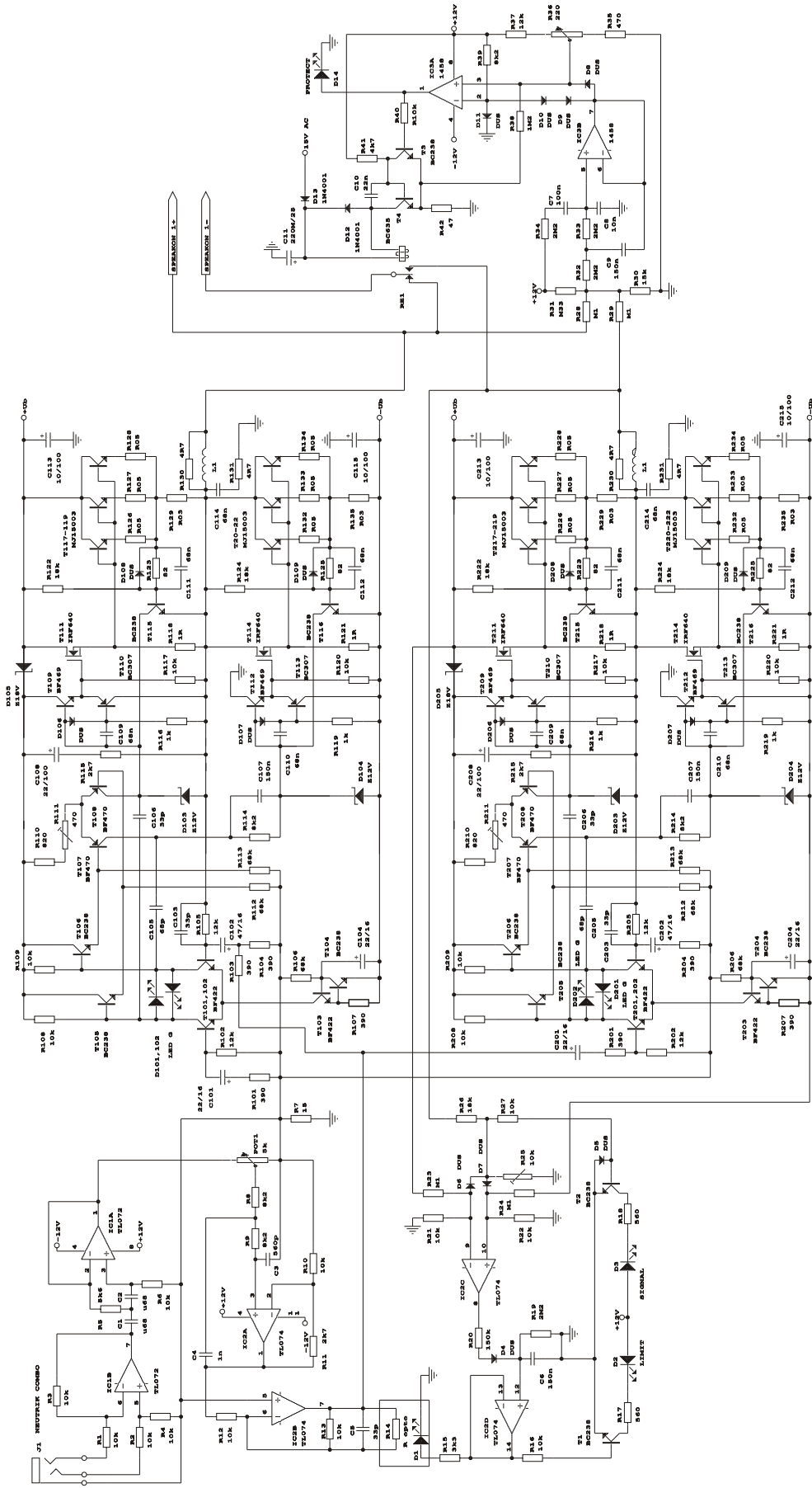


Signal K
 Limit K
 D2,D3 A
 DUT to PA
 GND signal
 IN from P1



Signal K
 Limit K
 D2,D3-A
 DUT to PA
 GND
 IN from P1

PA2000BM CH1



DUS-1N4148, 1N4448 . .
 R111- adjust 5mV across R118
 R211- adjust 5mV across R218
 R36-adjust 75mV across pin2,3 IC3 (pin2 positive)
 T104, T204, D11-thermal contact to heatsink

WARNING!
 BRIDGED OUTPUT! Do not connect output to ground!