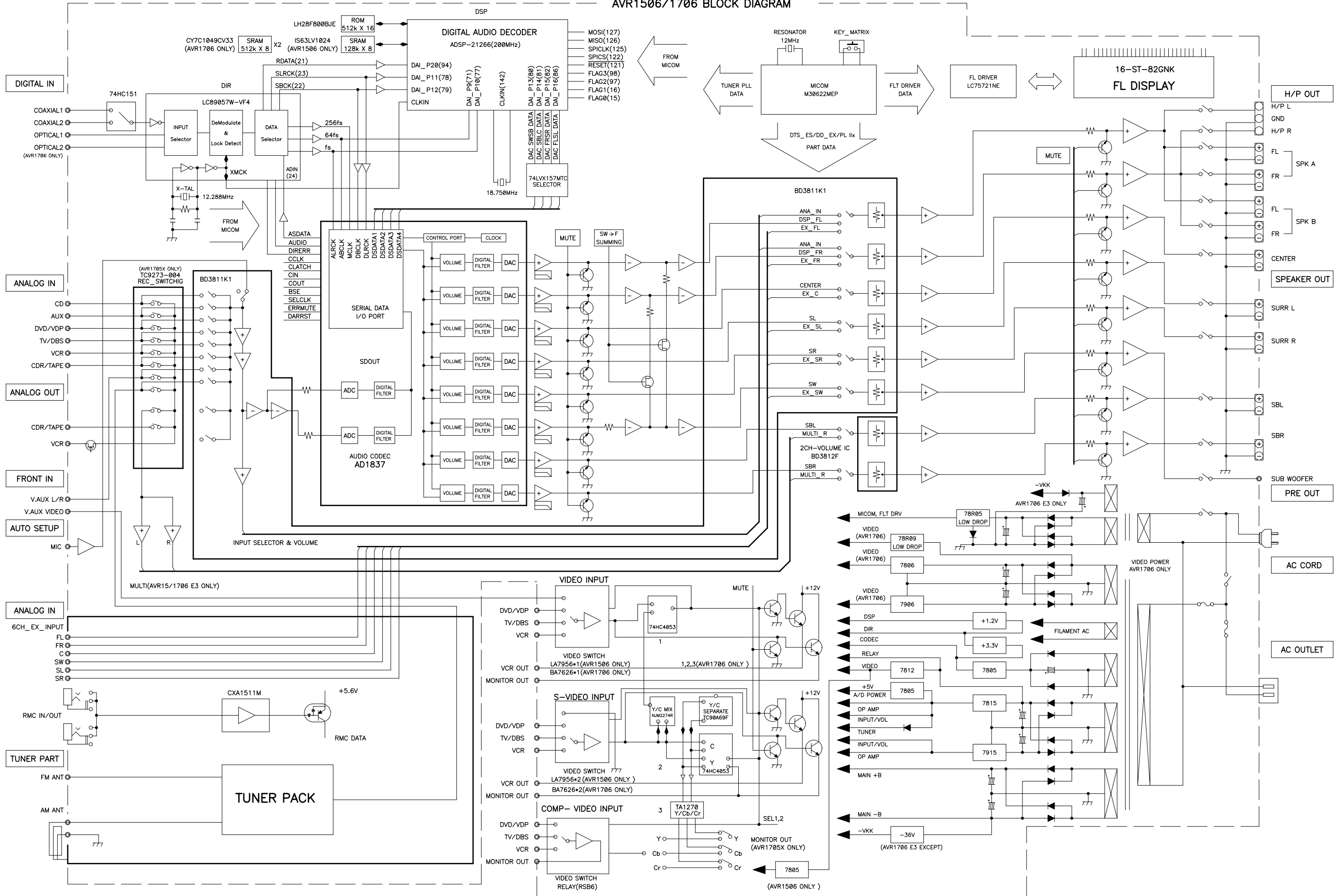
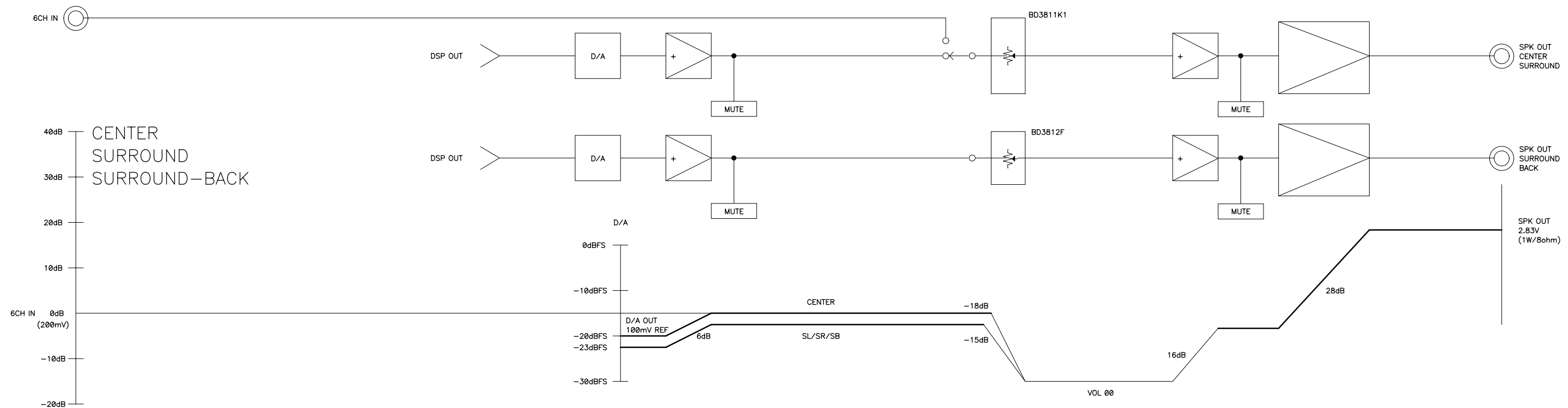
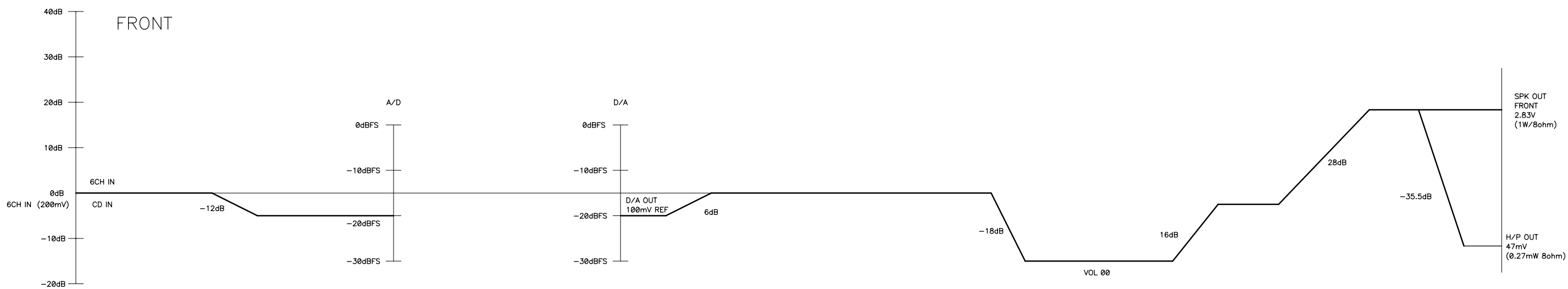
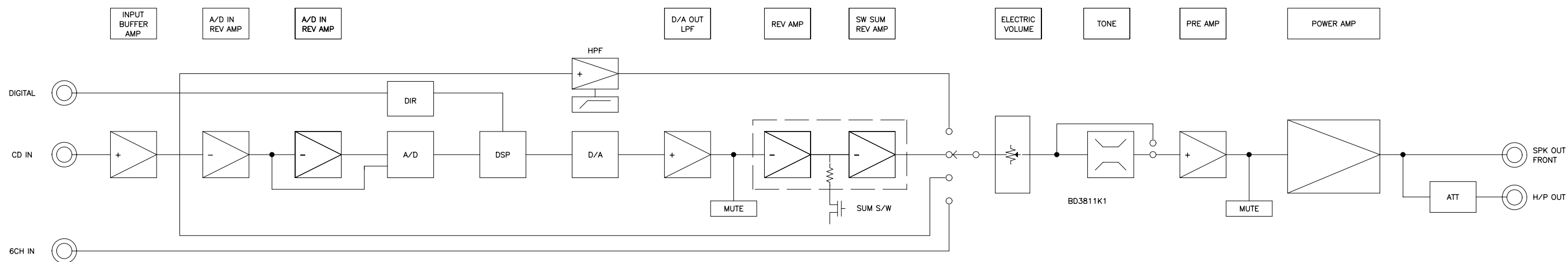


BLOCK DIAGRAM

AVR1506/1706 BLOCK DIAGRAM

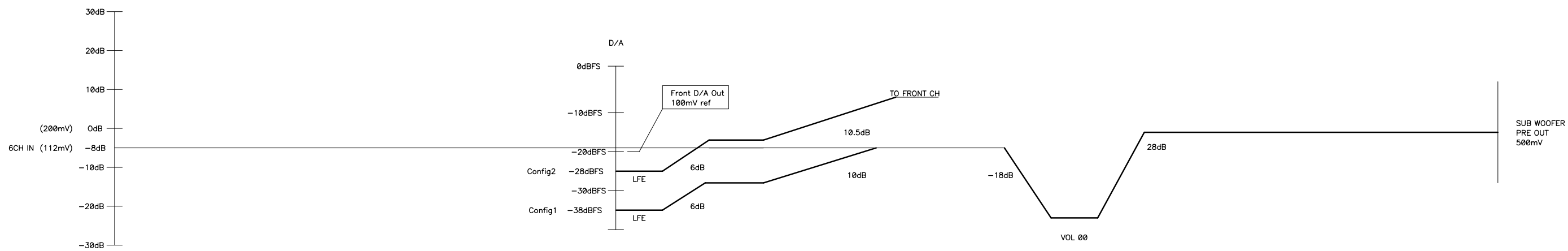
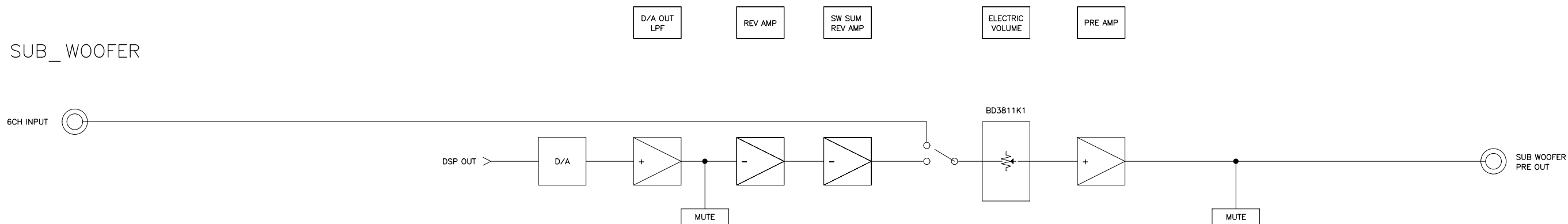


LEVEL DIAGRAMS (1/2)

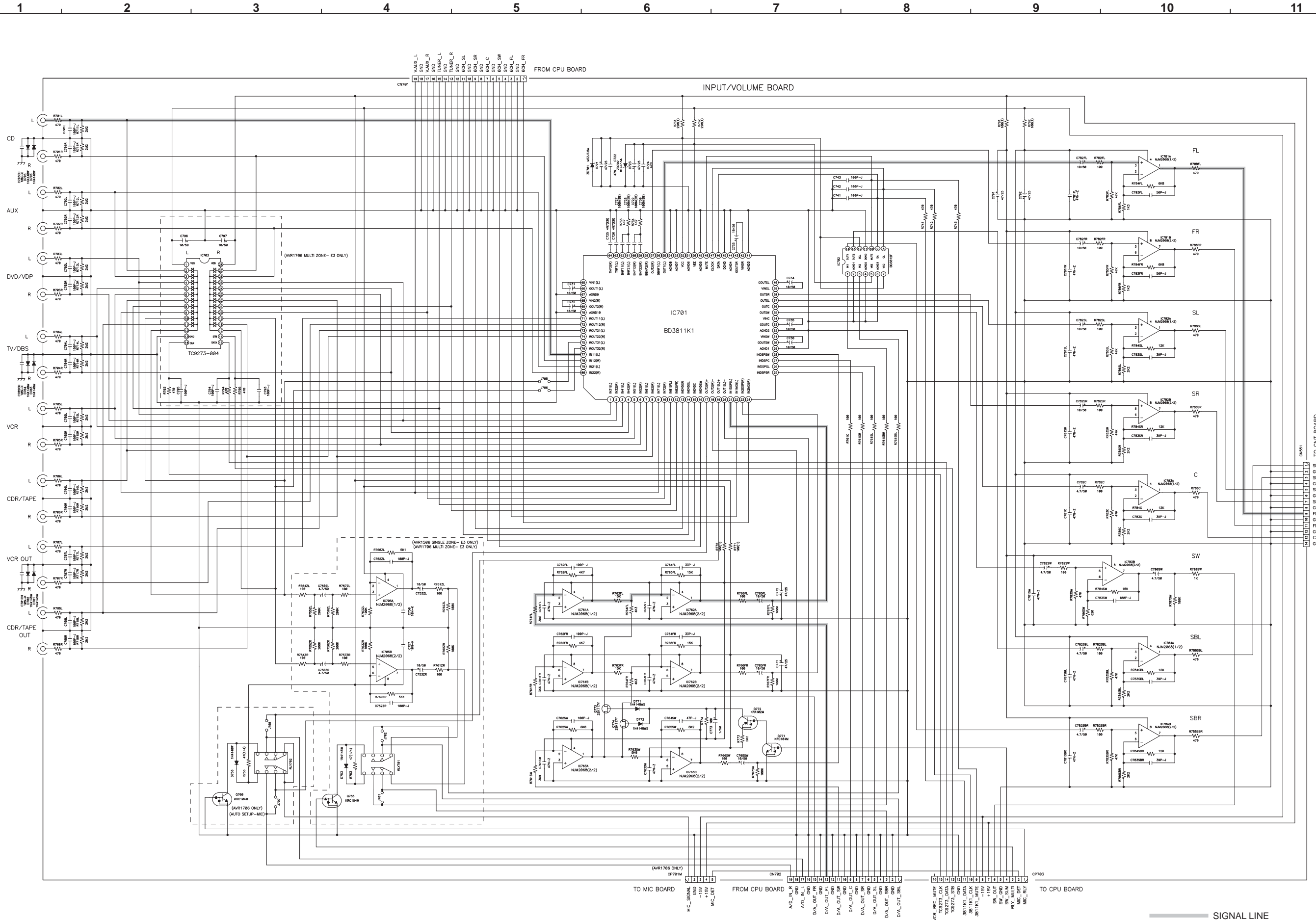


LEVEL DIAGRAMS (2/2)

SUB_WOOFER



SCHEMATIC DIAGRAMS (1/15)



SIGNAL LINE

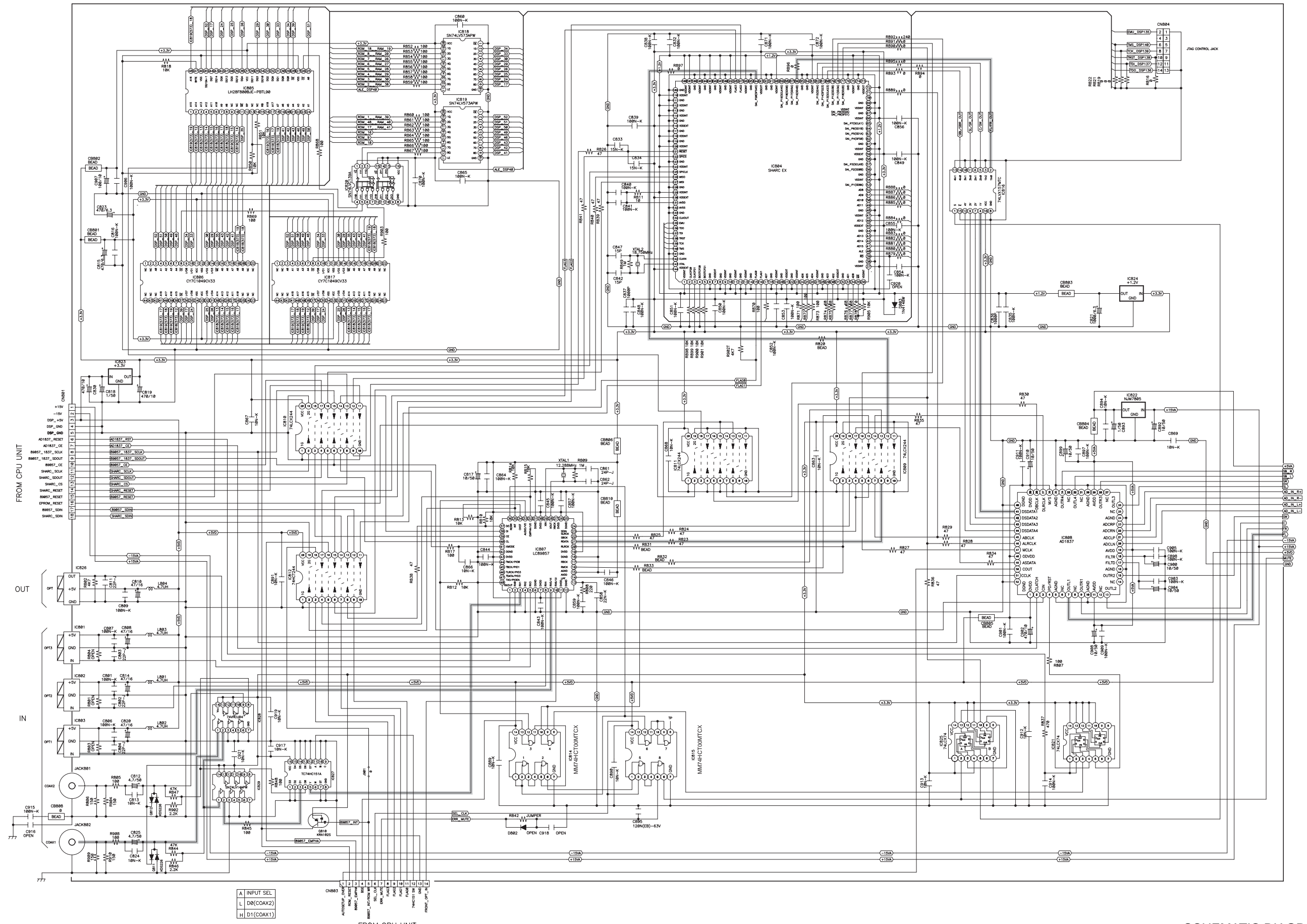
SCHEMATIC DIAGRAMS (1/15)
INPUT UNIT

A
B
C
D
E
F
G
H

SCHEMATIC DIAGRAMS (2/15)

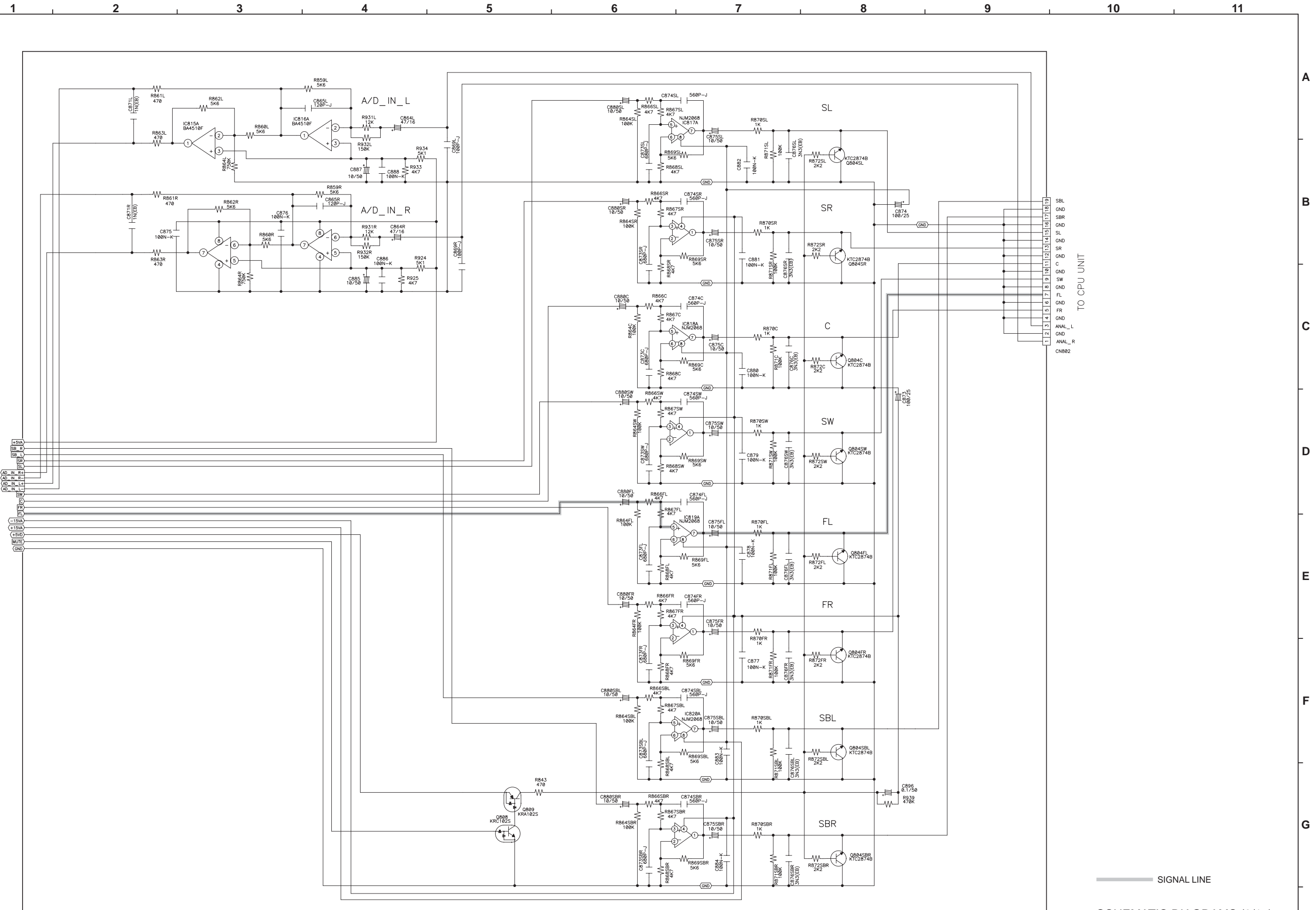
1 2 3 4 5 6 7 8 9 10 11

A
B
C
D
E
F
G
H



SCHEMATIC DIAGRAMS (2/15)
DSP-1 UNIT (for AVR1706/686 model)

SCHEMATIC DIAGRAMS (3/15)



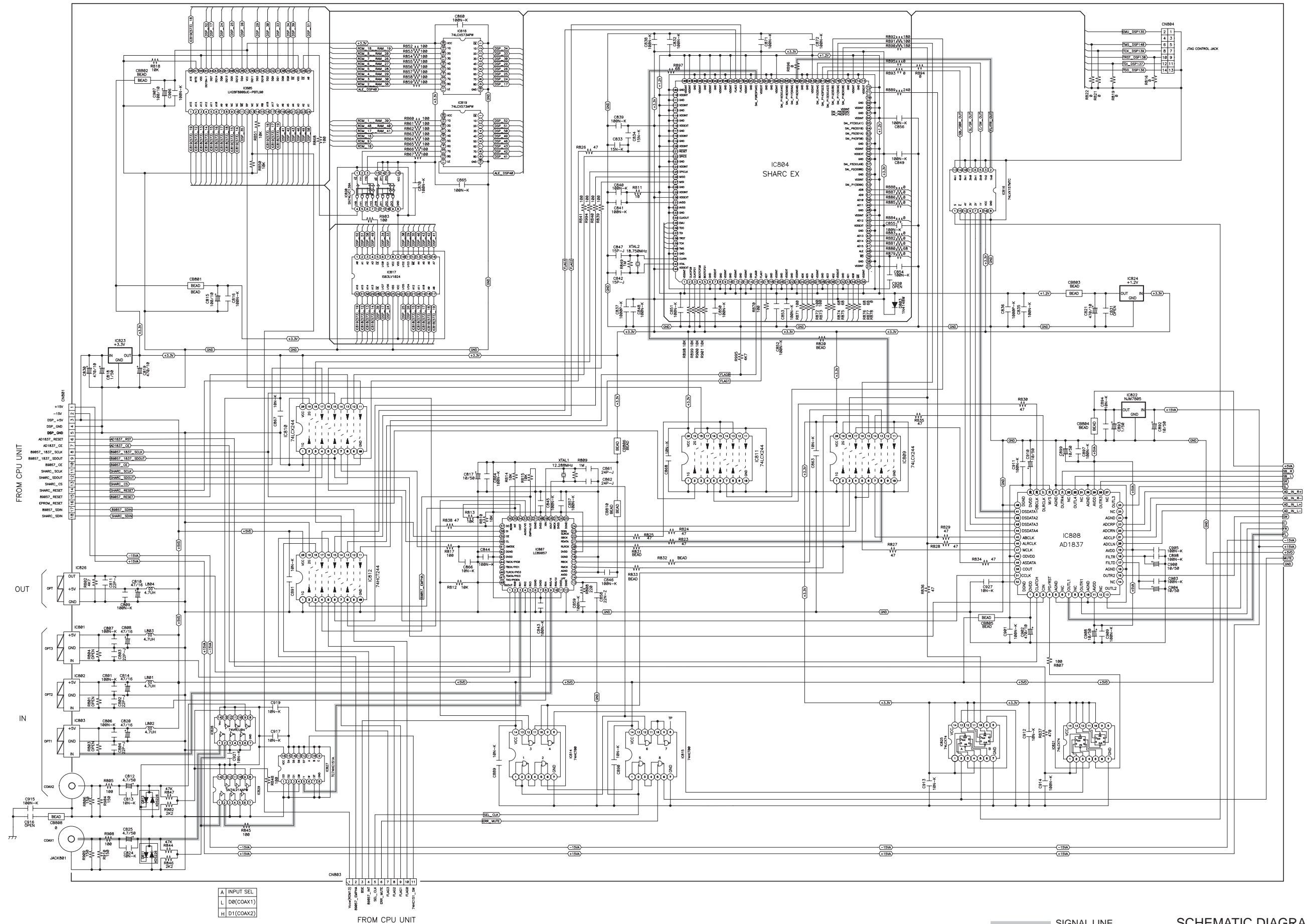
— SIGNAL LINE

SCHEMATIC DIAGRAMS (3/15)
DSP-2 UNIT (for AVR1706/686 model)

SCHEMATIC DIAGRAMS (4/15)

1 2 3 4 5 6 7 8 9 10 11

A
B
C
D
E
F
G
H



FROM CPU UNIT

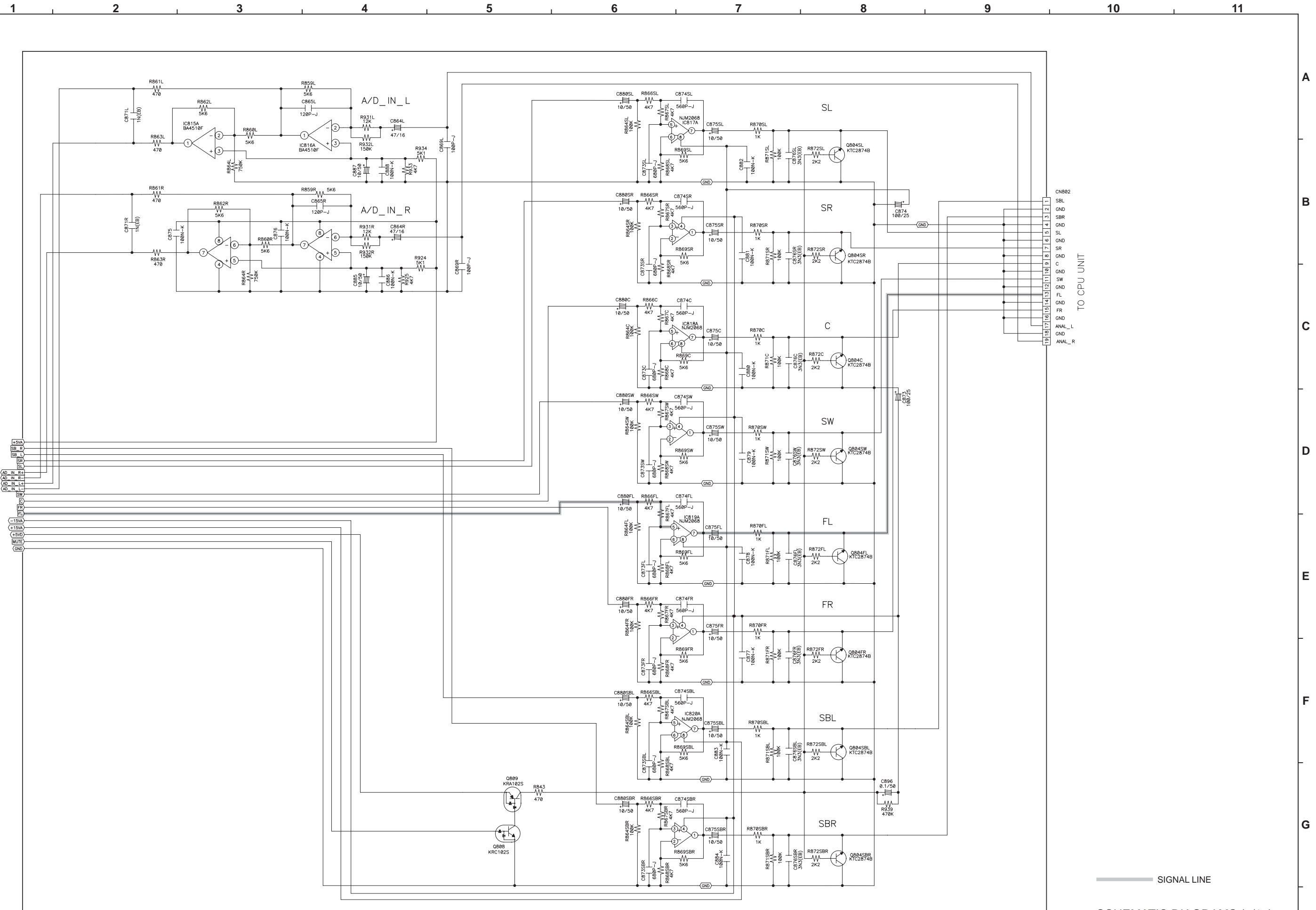
A INPUT SEL
 L D0(COAX1)
 H D1(COAX2)

FROM CPU UNIT

— SIGNAL LINE

SCHEMATIC DIAGRAMS (4/15)
DSP-1 UNIT (for AVR1506/486 model)

SCHEMATIC DIAGRAMS (5/15)

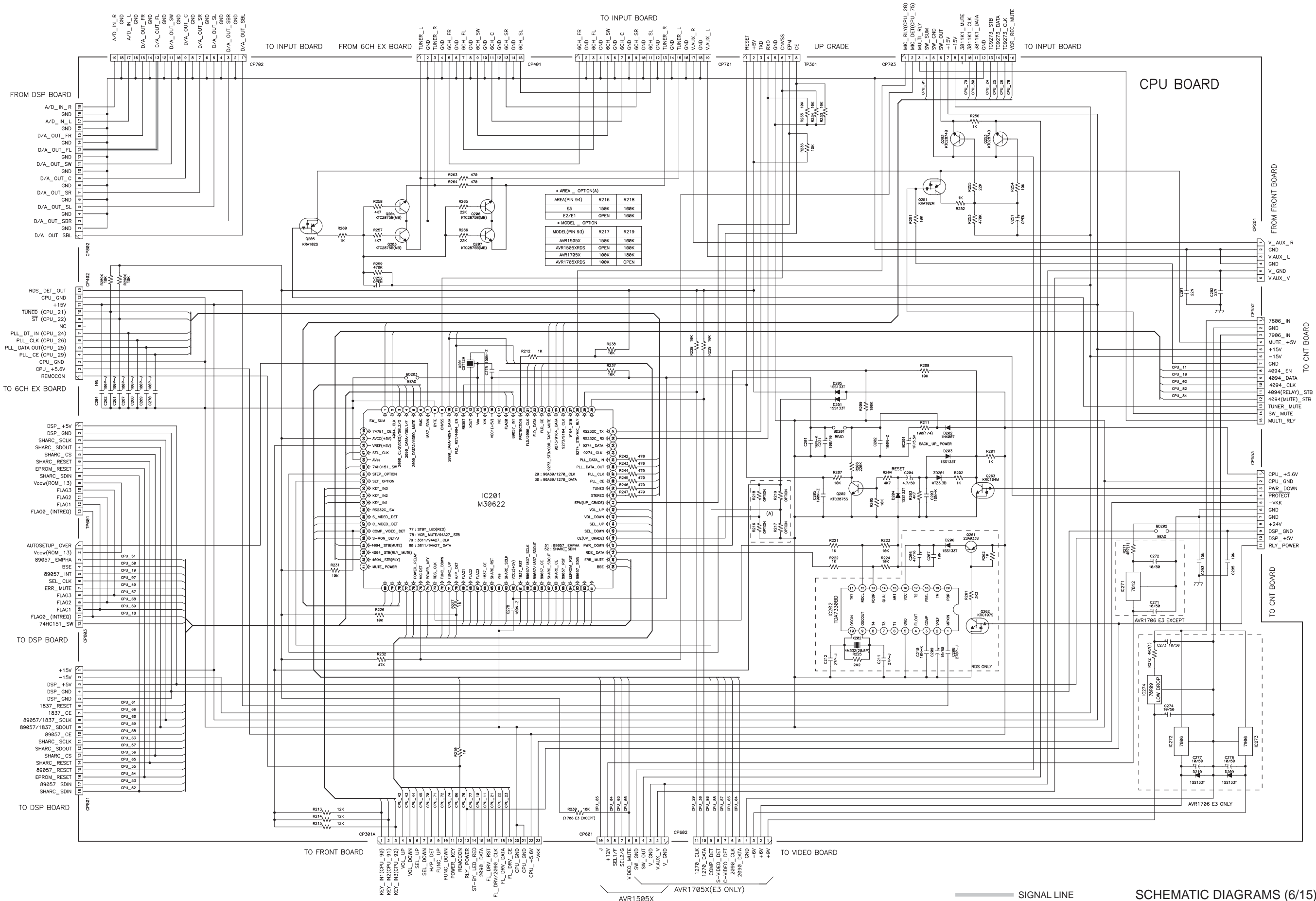


— SIGNAL LINE

SCHEMATIC DIAGRAMS (5/15)
DSP-2 UNIT (for AVR1506/486 model)

SCHEMATIC DIAGRAMS (6/15)

1 2 3 4 5 6 7 8 9 10 11



CPU BOARD

AREA OPTION(A)

E3	150K	100K
E2/E1	OPEN	100K

MODEL OPTION

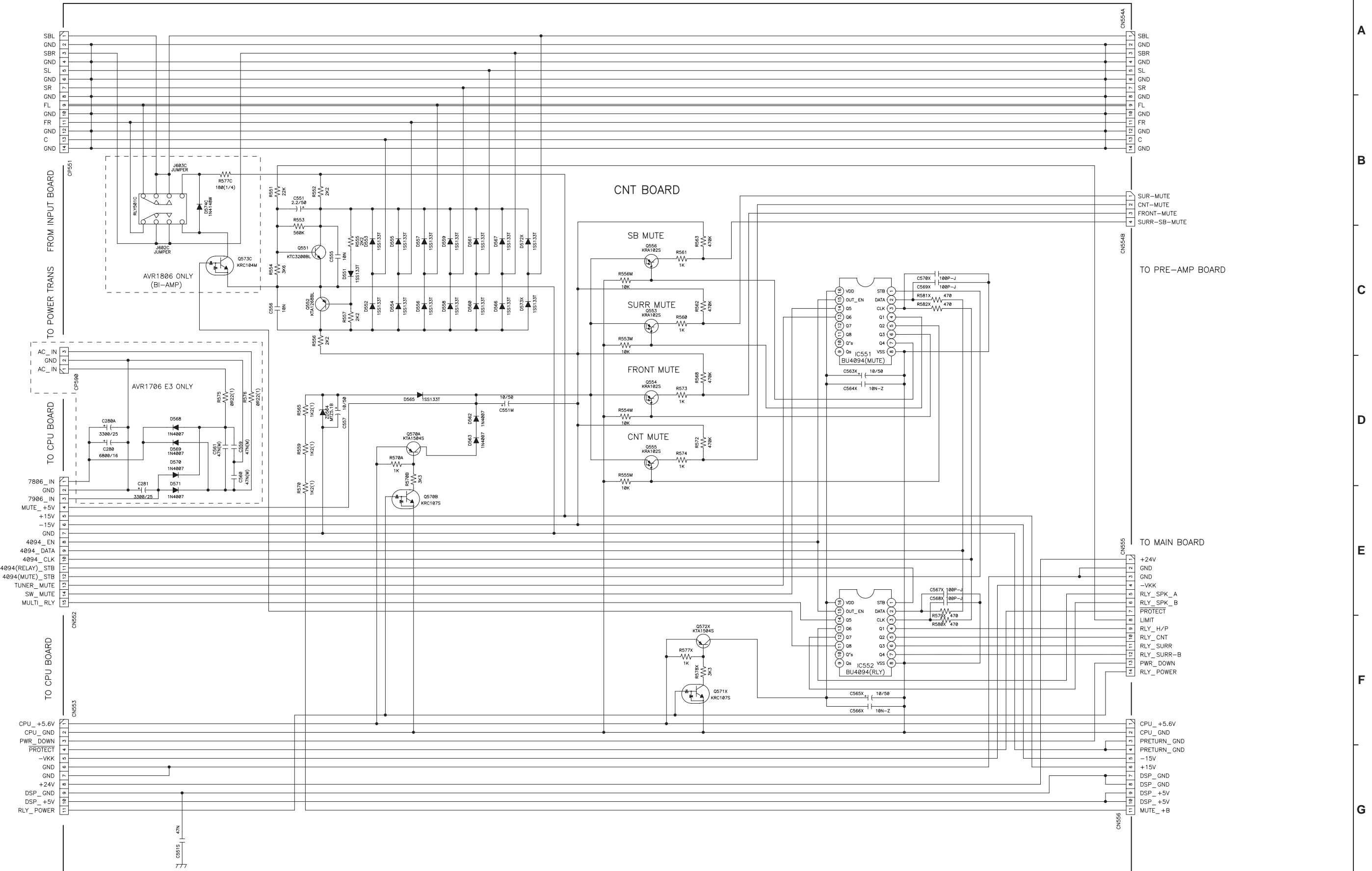
AVR1505X	150K	100K
AVR1505X	OPEN	100K
AVR1705X	100K	150K
AVR1705X	100K	OPEN

SIGNAL LINE

SCHEMATIC DIAGRAMS (6/15)
CPU UNIT

SCHEMATIC DIAGRAMS (7/15)

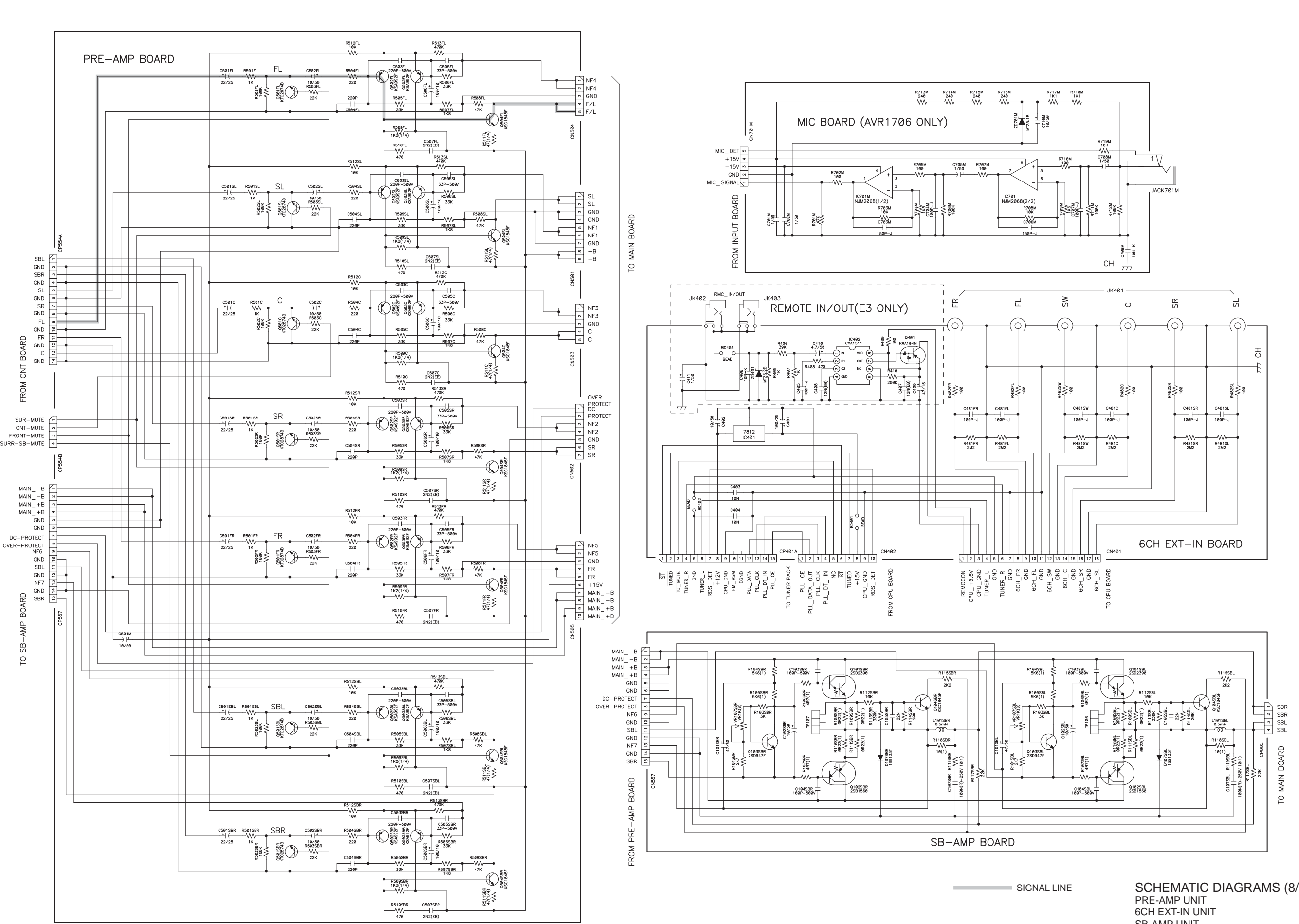
1 2 3 4 5 6 7 8 9 10 11



A
B
C
D
E
F
G

— SIGNAL LINE
SCHEMATIC DIAGRAMS (7/15)
CNT UNIT

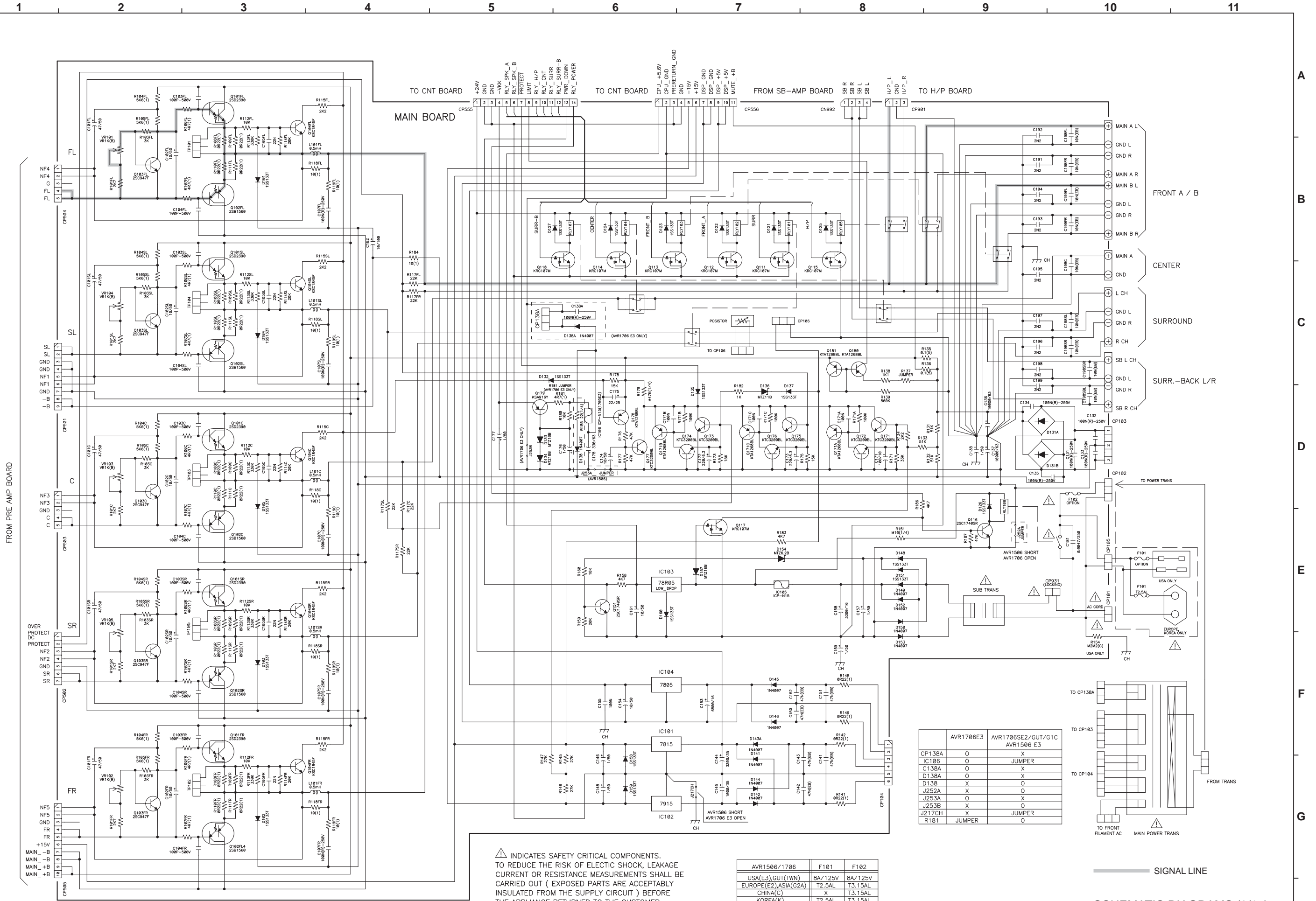
1 2 3 4 5 6 7 8 9 10 11



SCHEMATIC DIAGRAMS (8/15)
PRE-AMP UNIT
6CH EXT-IN UNIT
SB-AMP UNIT
MIC UNIT (for AVR1706/686 model)

A
B
C
D
E
F
G
H

SCHEMATIC DIAGRAMS (9/15)



⚠ INDICATES SAFETY CRITICAL COMPONENTS.
 TO REDUCE THE RISK OF ELECTRIC SHOCK, LEAKAGE CURRENT OR RESISTANCE MEASUREMENTS SHALL BE CARRIED OUT (EXPOSED PARTS ARE ACCEPTABLY INSULATED FROM THE SUPPLY CIRCUIT) BEFORE THE APPLIANCE RETURNED TO THE CUSTOMER.

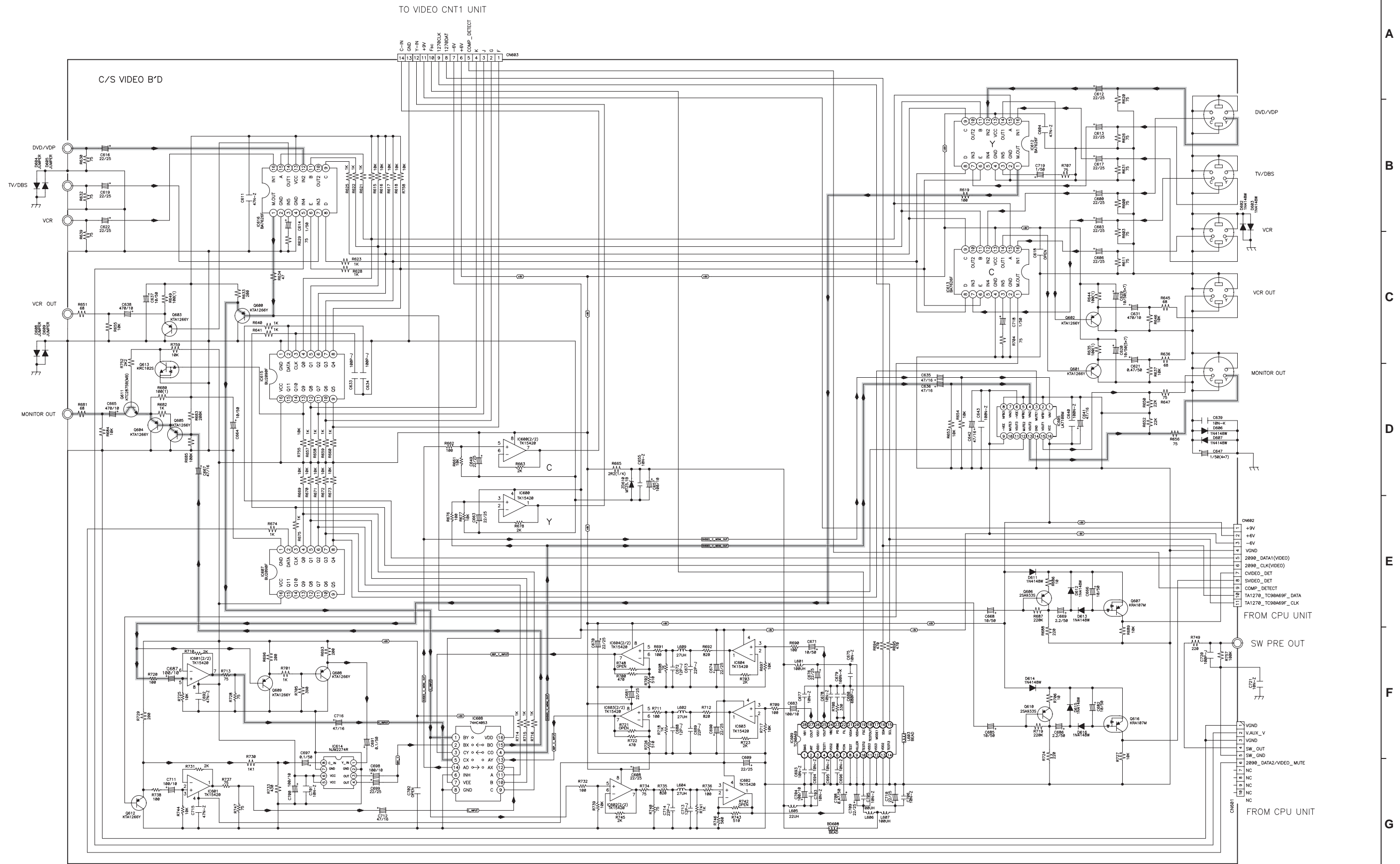
AVR1506/1706	F101	F102
USA(E3),GUT(TWN)	8A/125V	8A/125V
EUROPE(E2),ASIA(G2A)	T2.5AL	T3.15AL
CHINA(C)	X	T3.15AL
KOREA(K)	T2.5AL	T3.15AL

	AVR1706E3	AVR1706SE2/GUT/G1C AVR1506 E3
CP138A	O	X
IC106	O	JUMPER
C138A	O	X
D138A	O	X
D138	X	O
J252A	X	O
J253A	O	X
J253B	X	O
J17CH	X	JUMPER
R181	JUMPER	O

— SIGNAL LINE

SCHEMATIC DIAGRAMS (9/15)
 MAIN UNIT

1 2 3 4 5 6 7 8 9 10 11



A	B	E	MONITOR OUT	C	D	E	V OUT1	L	L	L	V OUT2
L	L	*	IN1(VCR)	L	L	*	-	L	L	*	IN1
H	L	*	IN2(DVD/VDP)	H	L	*	IN2	H	L	*	-
L	H	*	IN3(TV/DBS)	L	H	*	IN3	L	H	*	IN3
H	H	L	IN4(V-AUX)	H	H	L	IN4	H	H	L	IN4
H	H	H	IN5(MUTE)	H	H	H	IN5	H	H	H	IN5

— SIGNAL LINE

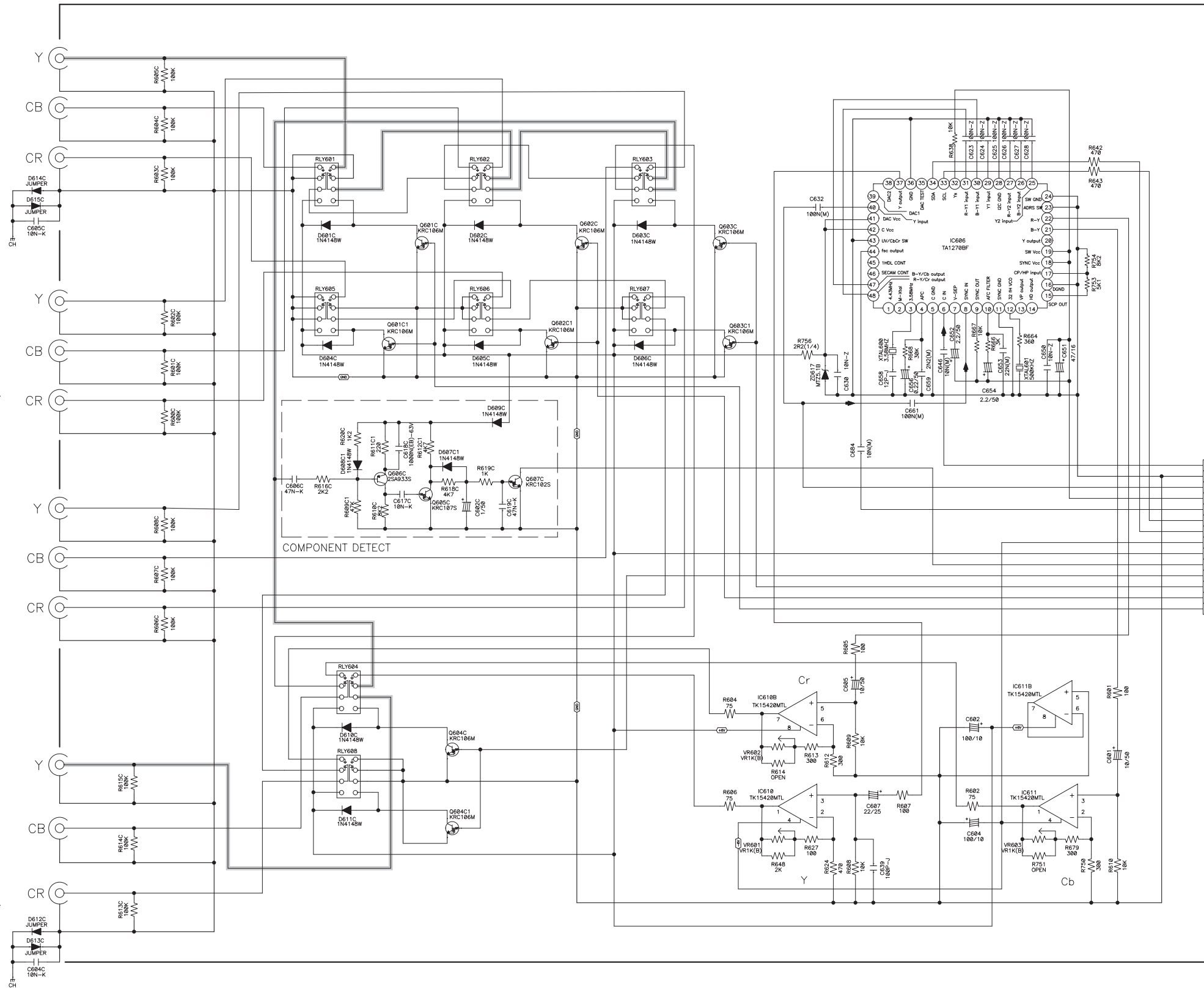
SCHEMATIC DIAGRAMS (10/15)
C/S VIDEO 1 UNIT
(for AVR1706/683 E3 model)

A
B
C
D
E
F
G
H

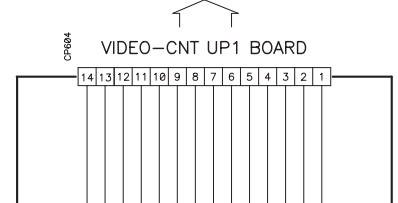
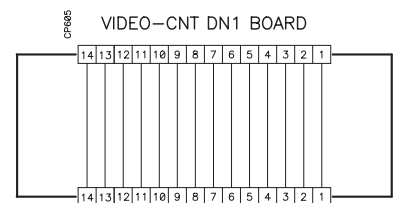
SCHEMATIC DIAGRAMS (11 /15)

1 2 3 4 5 6 7 8 9 10 11

DVD/VDP
 JACK601D
 TV/DBS
 VCR
 JACK602D
 MONITOR OUT



F	G	J	K	MONITOR OUT
H	L	L	L	TV/DBS
L	L	L	L	DVD/VDP
L	L	H	L	VCR
L	L	L	L	MUTE
L	L	L	H	Y/C UP INPUT



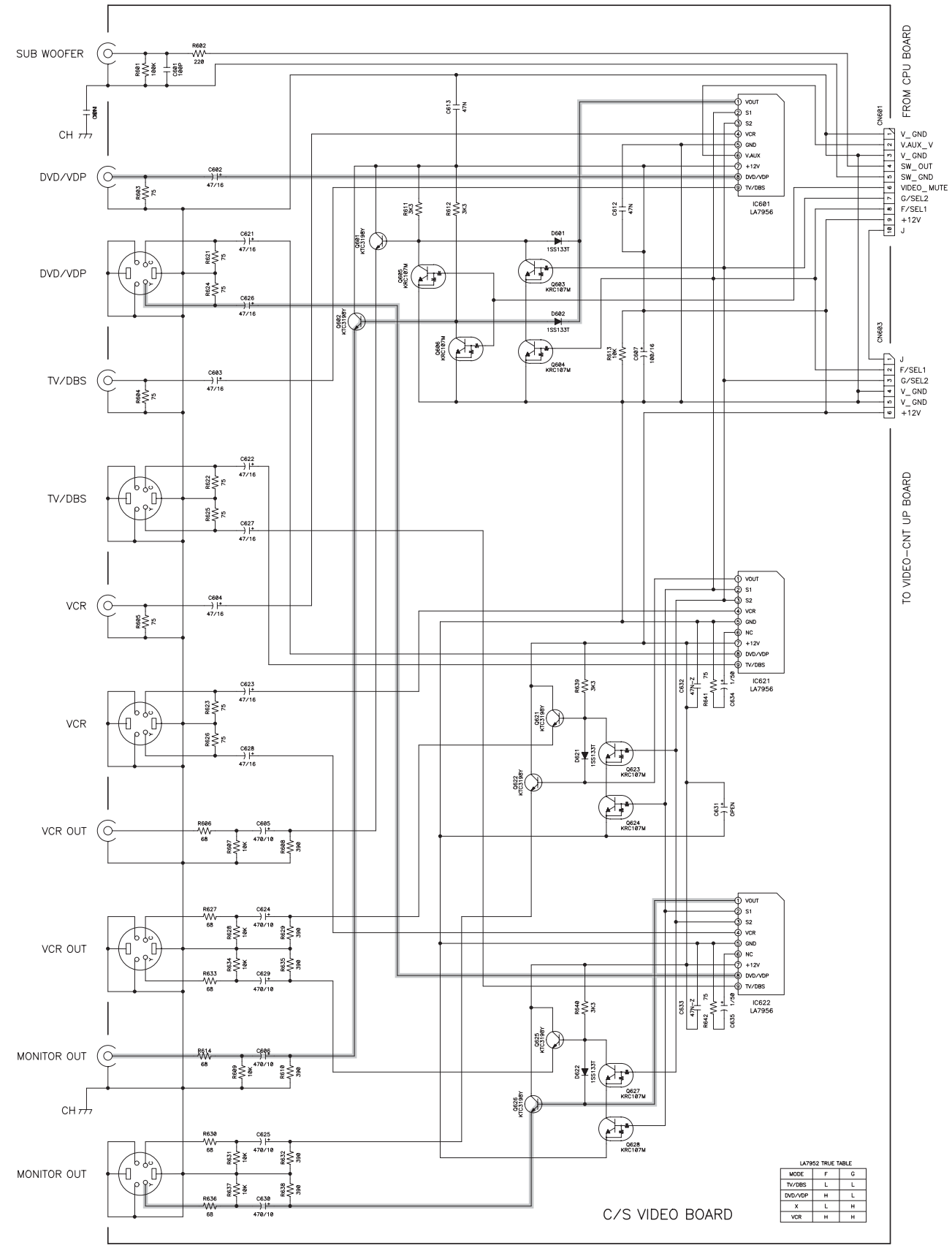
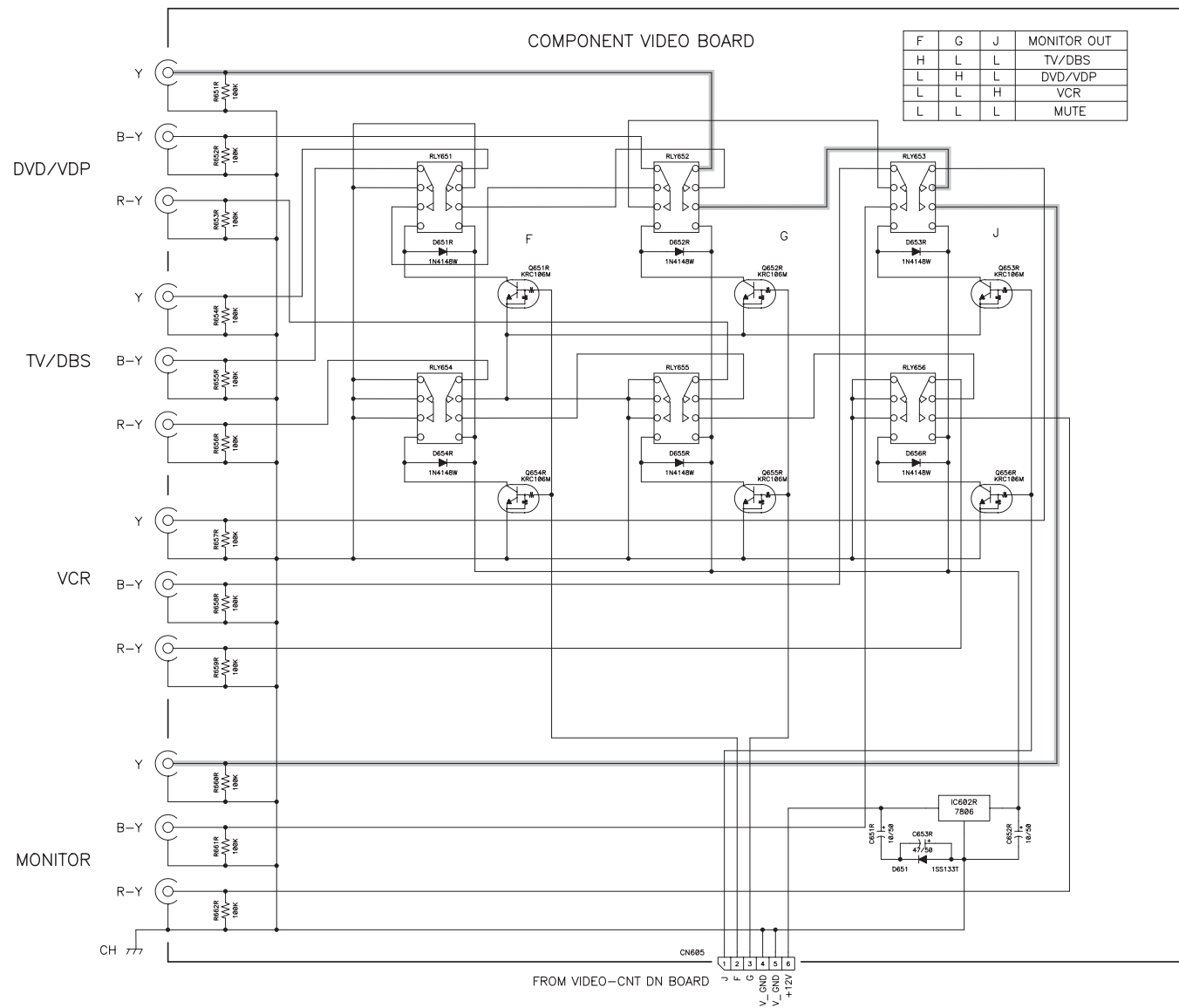
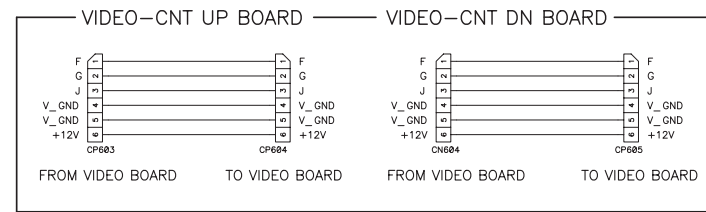
CN685
 C-IN
 GND
 Y-IN
 +9V
 Fsc
 1278CLK
 1278DAT
 -6V
 +6V
 COMP_DETECT
 K
 J
 G
 F

— SIGNAL LINE

SCHEMATIC DIAGRAMS (11/15)
 COMP VIDEO 1 UNIT (for AVR1706/686 E3 model)
 VIDEO-CNT UP 1 UNIT (for AVR1706/686 E3 model)
 VIDEO-CNT DN 1 UNIT (for AVR1706/686 E3 model)

SCHEMATIC DIAGRAMS (12/15)

1 2 3 4 5 6 7 8 9 10 11



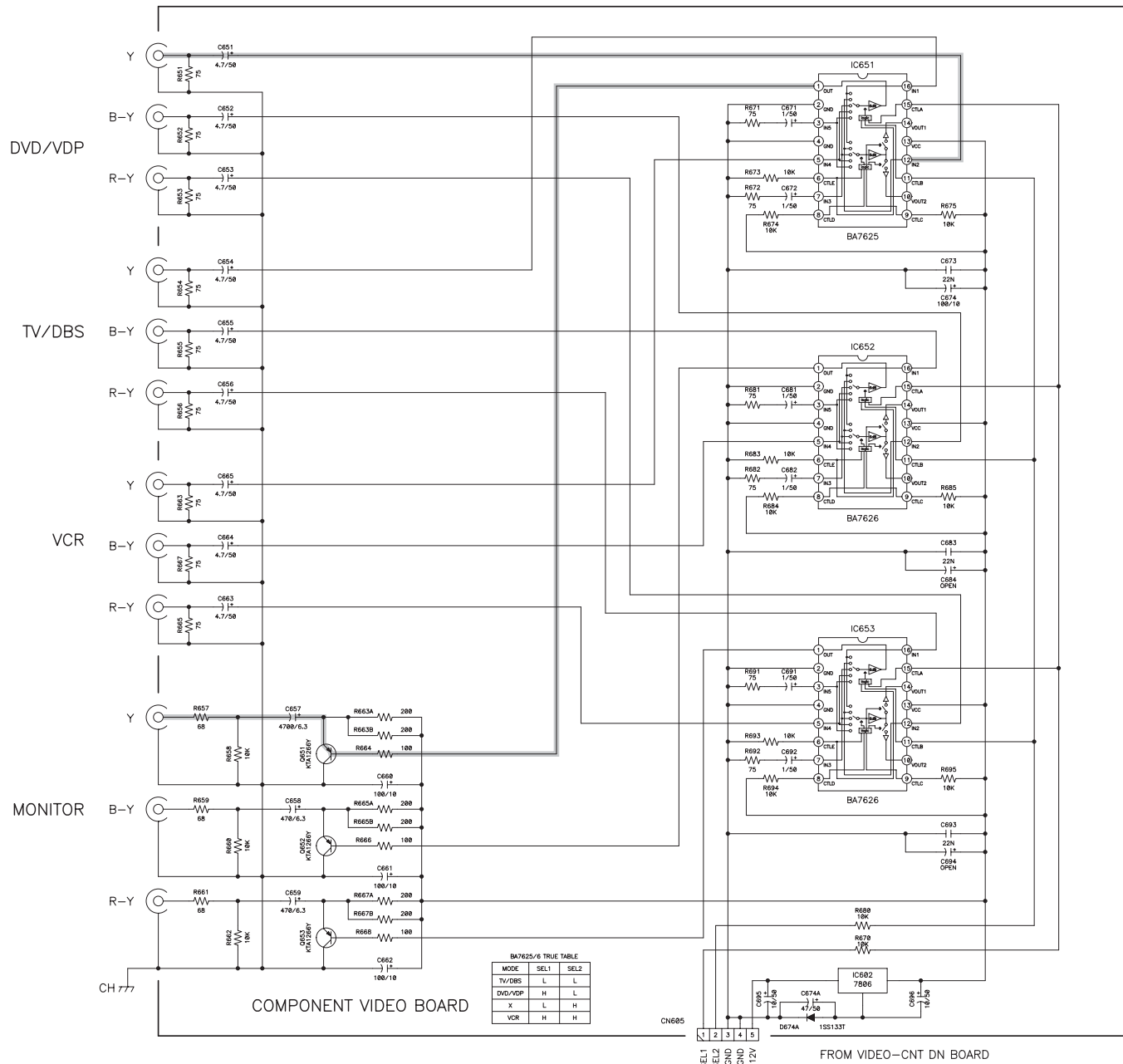
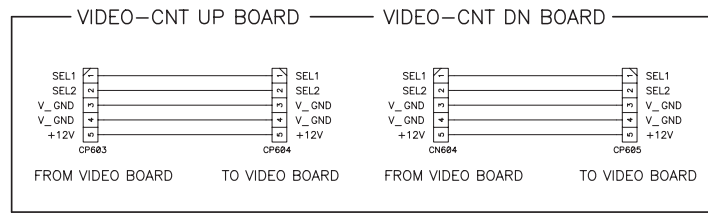
LA7952 TRUE TABLE

MODE	F	G
TV/DBS	L	L
DVD/VDP	H	L
VCR	L	H

SIGNAL LINE

SCHEMATIC DIAGRAMS (12/15)
 C/S VIDEO 2 UNIT (for AVR 1706 E2, EUT model)
 COMP VIDEO 2 UNIT (for AVR1706 E2, EUT model)
 VIDEO-CNT UP 2 UNIT (for AVR1706 E2, EUT model)
 VIDEO-CNT DN 2 UNIT (for AVR1706 E2, EUT model)

1 2 3 4 5 6 7 8 9 10 11

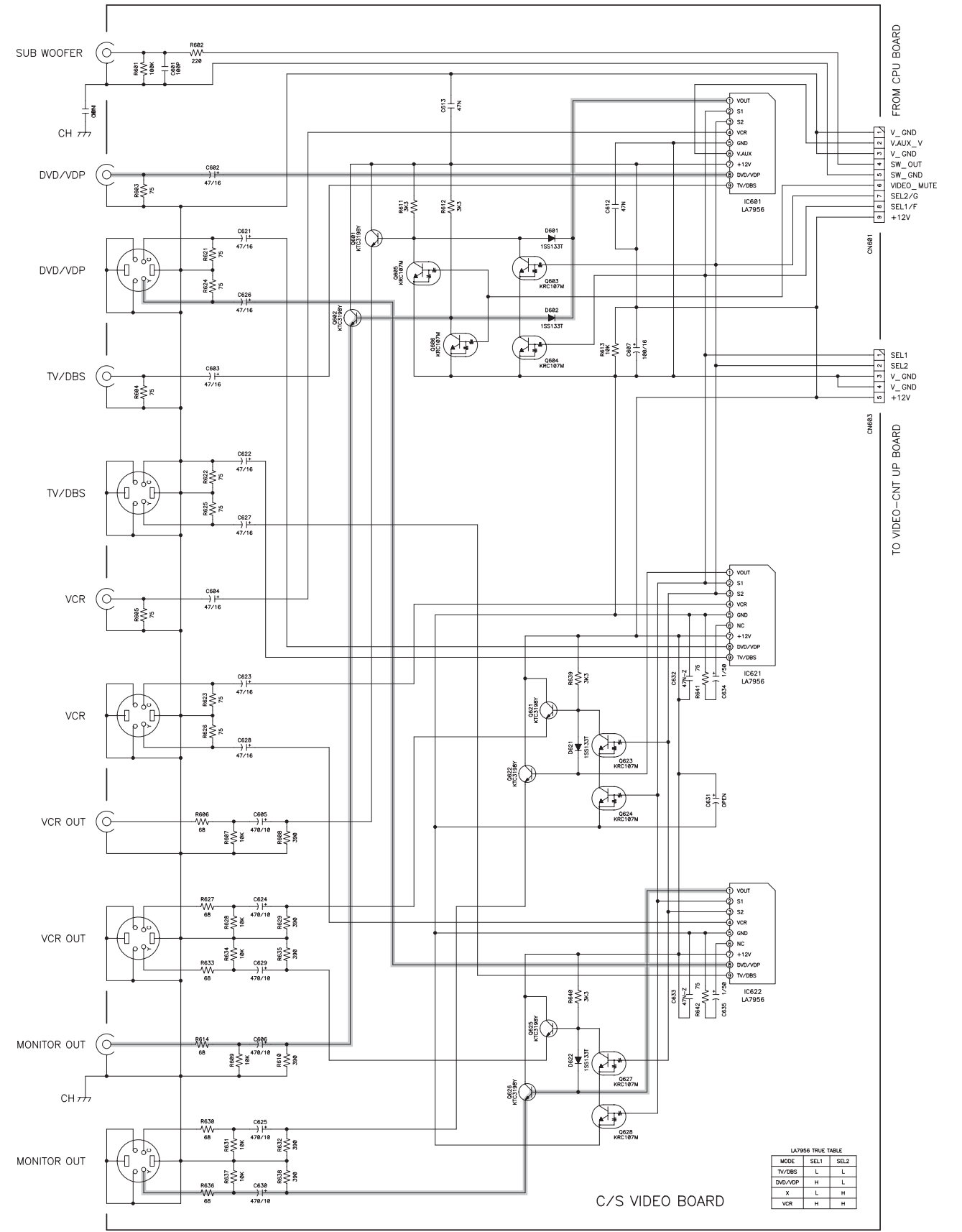


BA7625/6 TRUE TABLE

MODE	SEL1	SEL2
TV/DBS	L	L
DVD/VDP	H	L
X	L	H
VCR	H	H

LA7956 TRUE TABLE

MODE	SEL1	SEL2
TV/DBS	L	L
DVD/VDP	H	L
X	L	H
VCR	H	H



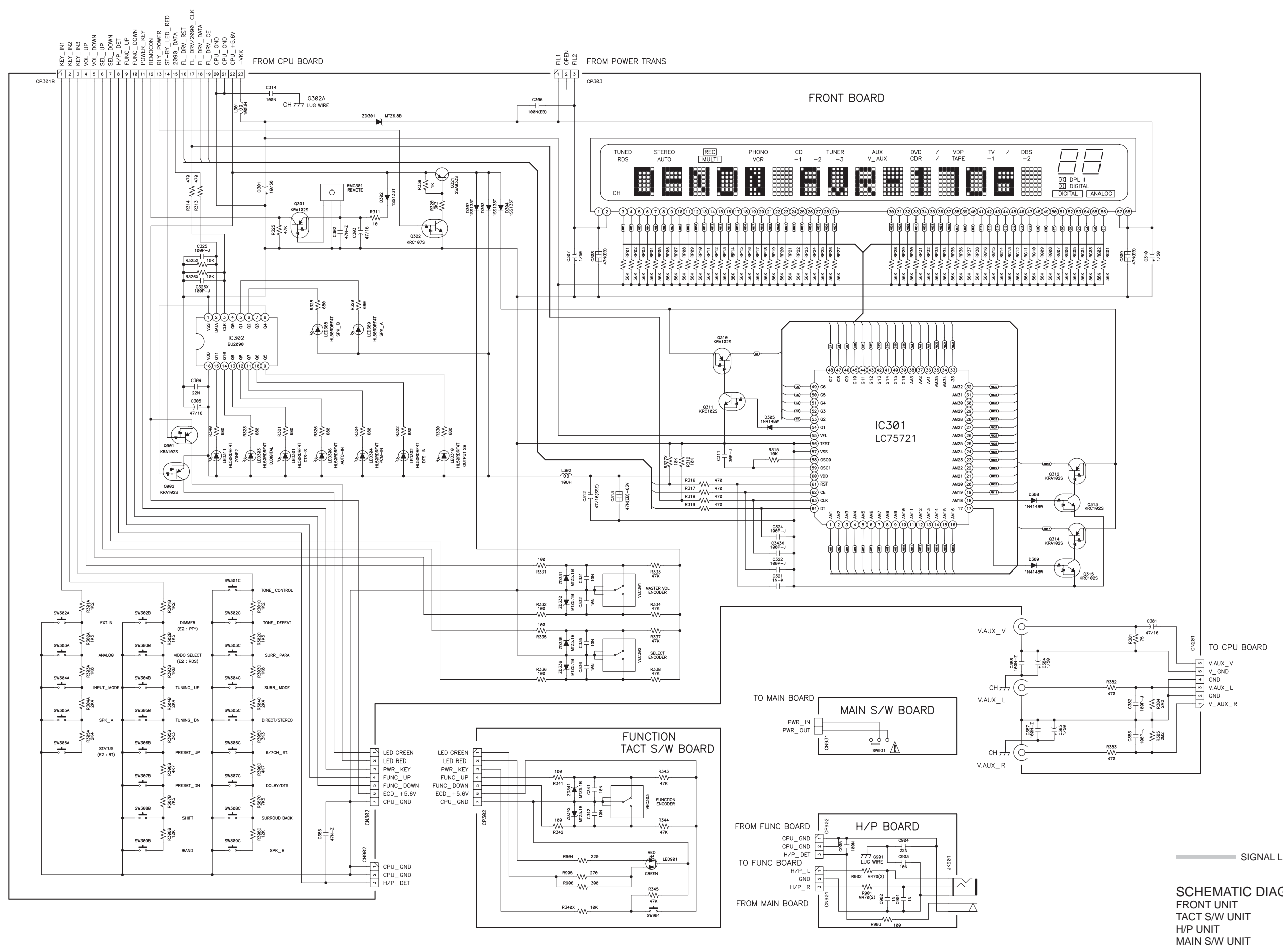
SIGNAL LINE

SCHEMATIC DIAGRAMS (13/15)
 C/S VIDEO 2 UNIT (for AVR 1506/486 E3 model)
 COMP VIDEO 2 UNIT (for AVR 1506/486 E3 model)
 VIDEO-CNT UP 2 UNIT (for AVR 1506/486 E3 model)
 VIDEO-CNT DN 2 UNIT (for AVR 1506/486 E3 model)

SCHEMATIC DIAGRAMS (14/15)

1 2 3 4 5 6 7 8 9 10 11

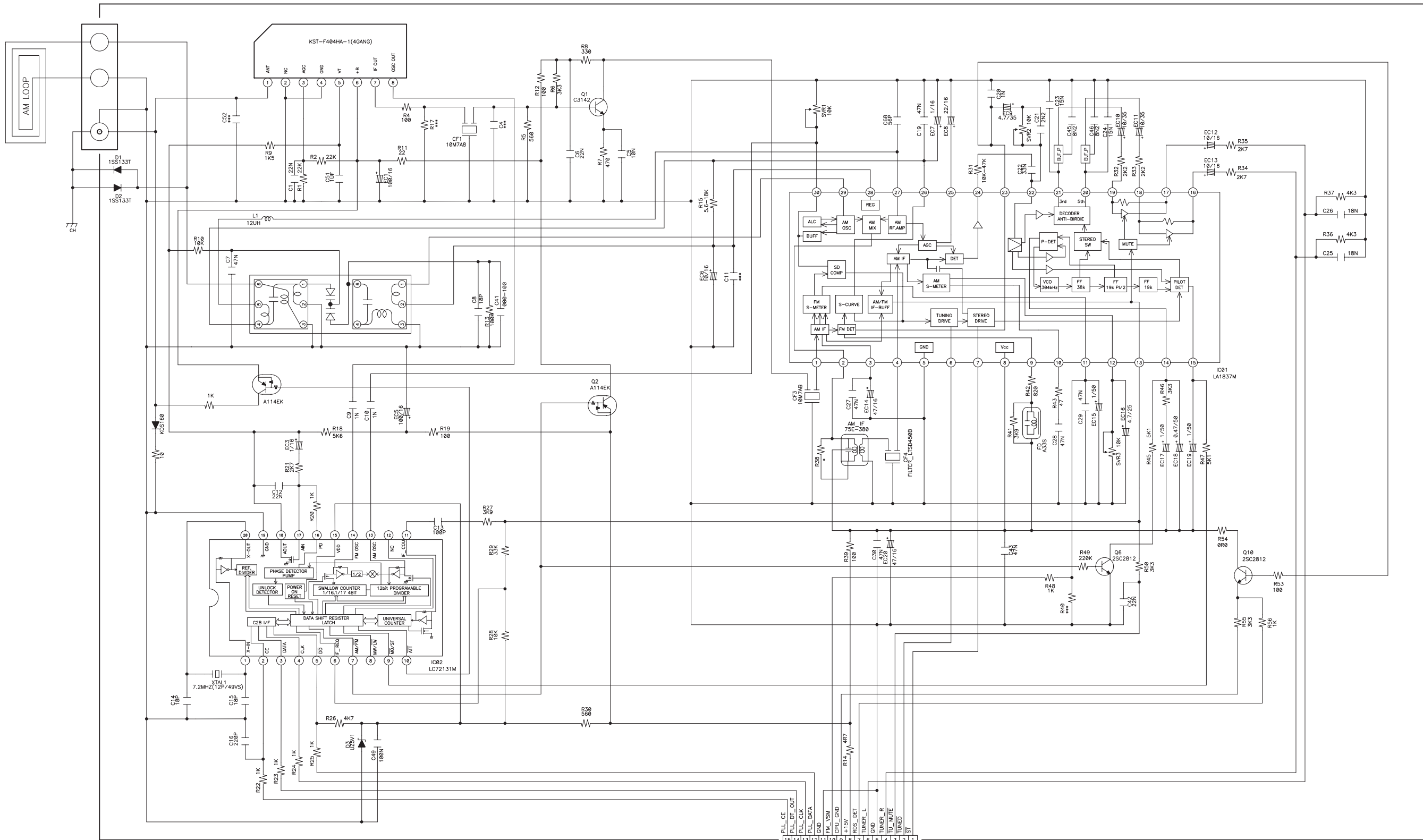
A
B
C
D
E
F
G
H



SCHEMATIC DIAGRAMS (15 /15)

1 2 3 4 5 6 7 8 9 10 11

TUNER BOARD



CN401A

FROM 6CH UNIT

15	PLL_CE	14	PLL_DT_OUT	13	PLL_CLK	12	PLL_DATA	11	PLL_DATA	10	GND	9	FM_VSM	8	CHU_GND	7	+15V	6	RDS_DET	5	TUNER_L	4	TUNER_R	3	TUNER_MUTE	2	TUNER	1	ST
----	--------	----	------------	----	---------	----	----------	----	----------	----	-----	---	--------	---	---------	---	------	---	---------	---	---------	---	---------	---	------------	---	-------	---	----

A
B
C
D
E
F
G