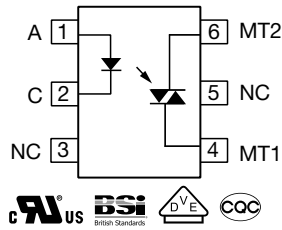
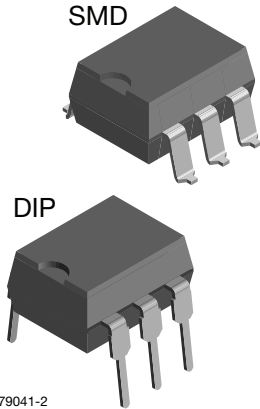


Optocoupler, Phototriac Output, Non-Zero Crossing, 250 V_{DRM}



FEATURES

- Isolation materials according to UL 94 V-0
- Special construction: therefore, extra low coupling capacity of typical 0.2 pF, high common mode rejection
- I_{FT} of 5 mA, 10 mA, and 15 mA
- Rated impulse voltage (transient overvoltage) V_{IOTM} = 8 kV_{peak}
- Isolation test voltage, 5300 V_{RMS}, t = 1 s
- Material categorization: For definitions of compliance please see www.vishay.com/doc?99912



RoHS COMPLIANT

APPLICATIONS

Circuits for safe protective separation against electrical shock according to safety class II (reinforced isolation):

- for appl. class I to IV at mains voltage ≤ 300 V
- for appl. class I to IV at mains voltage ≤ 600 V according to DIN EN60747-5-5 (VDE0884), suitable for:
 - Monitors
 - Air conditioners
 - Line switches
 - Solid state relay
 - Microwave

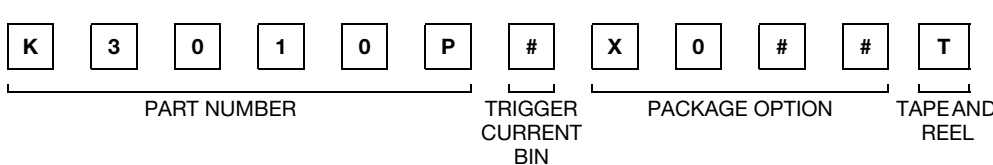
DESCRIPTION

The K3010P, K3010PG series consists of a photo-transistor optically coupled to a gallium arsenide infrared-emitting diode in a 6-pin plastic dual in line package

AGENCY APPROVALS

- UL1577, file no. E52744 system code H, double protection
- BSI: BS EN60065:2002 and IEC 60065:2001, certificate number 7955. An BS EN60950-1:2006 certificate number 7956
- DIN EN 60747-5-5
- CQC: GB8898-2001

ORDERING INFORMATION



| AGENCY CERTIFIED/PACKAGE | TRIGGER CURRENT, I _{FT} | | |
|--------------------------|----------------------------------|---------|--------------|
| | 5 mA | 10 mA | 15 mA |
| DIP-6 | K3012P | K3011P | K3010P |
| DIP-6, 400 mil | K3012PG | K3011PG | K3010PG |
| SMD-6, option 7 | K3012P-X007T | - | K3010P-X007T |

Note

- G = leadform 10.16 mm; G is not marked on the body.



| ABSOLUTE MAXIMUM RATINGS ($T_{amb} = 25\text{ }^{\circ}\text{C}$, unless otherwise specified) | | | | |
|--|--------------------------------------|------------|---------------|--------------------|
| PARAMETER | TEST CONDITION | SYMBOL | VALUE | UNIT |
| INPUT | | | | |
| Reverse voltage | | V_R | 5 | V |
| Forward current | | I_F | 80 | mA |
| Forward surge current | $t_p \leq 10\text{ }\mu\text{s}$ | I_{FSM} | 3 | A |
| Power dissipation | | P_{diss} | 100 | mW |
| Junction temperature | | T_j | 100 | $^{\circ}\text{C}$ |
| OUTPUT | | | | |
| Off state output terminal voltage | | V_{DRM} | 250 | V |
| On state RMS current | | I_{TRM} | 100 | mA |
| Peak surge current, non-repetitive | $t_p \leq 10\text{ ms}$ | I_{TMS} | 1.5 | A |
| Power dissipation | | P_{diss} | 300 | mW |
| Junction temperature | | T_j | 100 | $^{\circ}\text{C}$ |
| COUPLER | | | | |
| Isolation test voltage (RMS) | $t = 1\text{ s}$ | V_{ISO} | 5300 | V_{RMS} |
| Total power dissipation | | P_{tot} | 350 | mW |
| Storage temperature range | | T_{stg} | - 55 to + 150 | $^{\circ}\text{C}$ |
| Ambient temperature range | | T_{amb} | - 55 to + 100 | $^{\circ}\text{C}$ |
| Soldering temperature ⁽¹⁾ | 2 mm from case, $t \leq 10\text{ s}$ | T_{sld} | 260 | $^{\circ}\text{C}$ |

Notes

- Stresses in excess of the absolute maximum ratings can cause permanent damage to the device. Functional operation of the device is not implied at these or any other conditions in excess of those given in the operational sections of this document. Exposure to absolute maximum ratings for extended periods of the time can adversely affect reliability.

⁽¹⁾ Refer to wave profile for soldering conditions for through hole devices (DIP) "Assembly Instructions" (www.vishay.com/doc?80054)

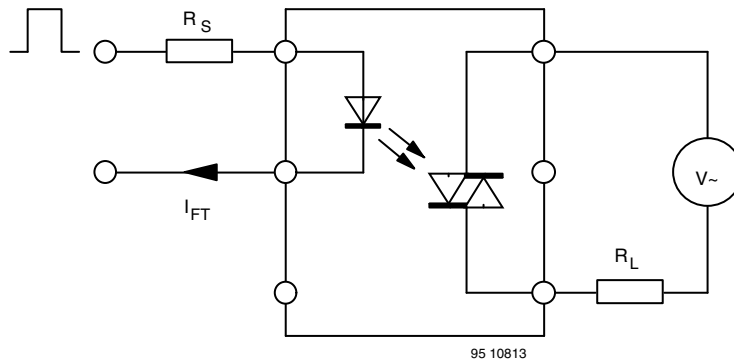
| ELECTRICAL CHARACTERISTICS ($T_{amb} = 25\text{ }^{\circ}\text{C}$, unless otherwise specified) | | | | | | | |
|--|---|---------|-----------------|------|------|------|------------------|
| PARAMETER | TEST CONDITION | PART | SYMBOL | MIN. | TYP. | MAX. | UNIT |
| INPUT | | | | | | | |
| Forward voltage | $I_F = 50\text{ mA}$ | | V_F | | 1.25 | 1.6 | V |
| Junction capacitance | $V_R = 0, f = 1\text{ MHz}$ | | C_j | | 50 | | pF |
| OUTPUT | | | | | | | |
| Forward peak off-state voltage (repetitive) | $I_{RDM} = 100\text{ nA}$ | | $V_{DRM}^{(1)}$ | 250 | | | V |
| Peak on-state voltage | $I_{TM} = 100\text{ mA}$ | | V_{TM} | | 1.5 | 3 | V |
| Critical rate of rise of off-state voltage | $I_{FT} = 0, I_{FT} = 30\text{ mA}$ | | dV/dt_{cr} | | 10 | | V/ μs |
| | | | dV/dt_{crq} | 0.1 | 0.2 | | V/ μs |
| COUPLER ⁽²⁾ | | | | | | | |
| Collector emitter trigger current | $V_S = 3\text{ V}, R_L = 150\text{ }\Omega$ | K3010P | I_{FT} | | 8 | 15 | mA |
| | | K3010PG | I_{FT} | | 8 | 15 | mA |
| | | K3011P | I_{FT} | | 5 | 10 | mA |
| | | K3011PG | I_{FT} | | 5 | 10 | mA |
| | | K3012P | I_{FT} | | 2 | 5 | mA |
| | | K3012PG | I_{FT} | | 2 | 5 | mA |
| Holding current | $I_F = 10\text{ mA}, V_S \geq 3\text{ V}$ | | I_H | | 100 | | μA |

Notes

- Minimum and maximum values are testing requirements. Typical values are characteristics of the device and are the result of engineering evaluation. Typical values are for information only and are not part of the testing requirements.

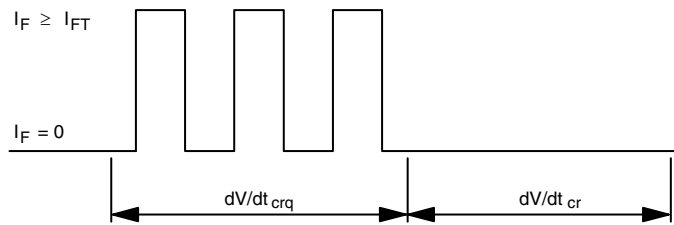
⁽¹⁾ Test voltage must be applied within dV/dt ratings.

⁽²⁾ I_{FT} is defined as a minimum trigger current.



Test condition:
 dV/dt_{cr}
 $V_S = 2/3 V_{DRM}$
 (sine wave)
 $R_L = 33\text{ k}\Omega$
 dV/dt_{crq}
 $V_{eff.} = 30\text{ V}$
 (sine wave)
 $R_L = 2\text{ k}\Omega$

Fig. 1 - Test Circuit for dV/dt_{cr} and dV/dt_{crq}



dV/dt_{cr} Highest value of the "rate of rise of off-state voltage" which does not cause any switching from the off state to the on state
 dV/dt_{crq} Highest value of the "rate of rise of communicating voltage" which does not switch on the device again, after the voltage has decreased to zero and the trigger current is switched from I_{FT} to zero

95 10814

Fig. 2

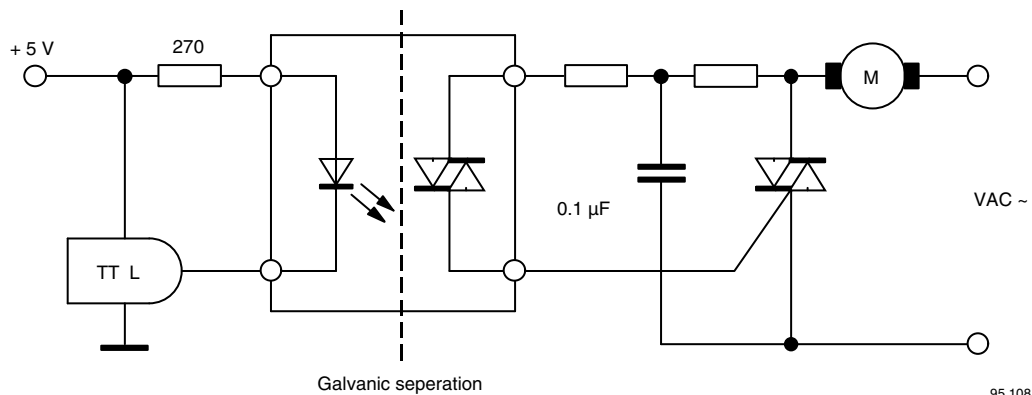


Fig. 3 - Motor Control Circuit

95 10815

| SAFETY AND INSULATION RATINGS | | | | | |
|---|------------|-----------|-----------|------|--------------------|
| PARAMETER | SYMBOL | MIN. | TYP. | MAX. | UNIT |
| Climatic classification (according to IEC 68 part 1) | | | 55/100/21 | | |
| Pollution degree (DIN VDE 0109) | | | 2 | | |
| Comparative tracking index | CTI | 175 | | | |
| Peak transient overvoltage | V_{IOTM} | | | 8000 | V_{peak} |
| Peak working insulation voltage | V_{IORM} | | | 890 | V_{peak} |
| Partial discharge test voltage (method a, $V_{pd} = V_{IORM} \times 1.875$) | V_{pd} | | | 1669 | V_{peak} |
| Isolation resistance at $T_{amb} = 100\text{ }^{\circ}\text{C}$, $V_{DC} = 500\text{ V}$ | R_{IO} | 10^{11} | | | Ω |
| Isolation resistance at $T_{amb} = 25\text{ }^{\circ}\text{C}$, $V_{DC} = 500\text{ V}$ | R_{IO} | 10^{12} | | | Ω |
| Safety rating - power | P_{SO} | | | 265 | mW |
| Safety rating - input current | I_{SI} | | | 130 | mA |
| Safety rating - temperature | T_{SI} | | | 150 | $^{\circ}\text{C}$ |
| Clearance distance (Standard DIP-6) | | 7 | | | mm |
| Creepage distance (Standard DIP-6) | | 7 | | | mm |
| Clearance distance (400 mil DIP-6) | | 8 | | | mm |
| Creepage distance (400 mil DIP-6) | | 8 | | | mm |

Note

- According to DIN EN60747-5-5 (see figure 4). This optocoupler is suitable for safe electrical isolation only within the safety ratings. Compliance with the safety ratings shall be ensured by means of suitable protective circuits.

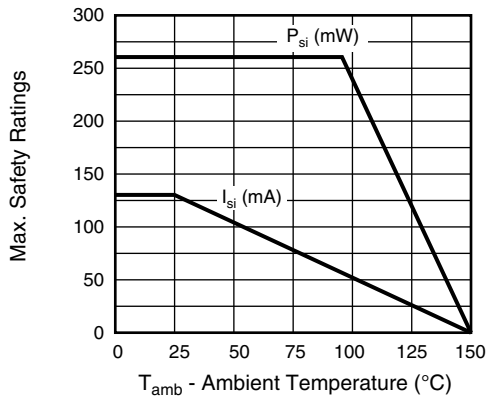


Fig. 4 - Safety Parameter Derating Diagram

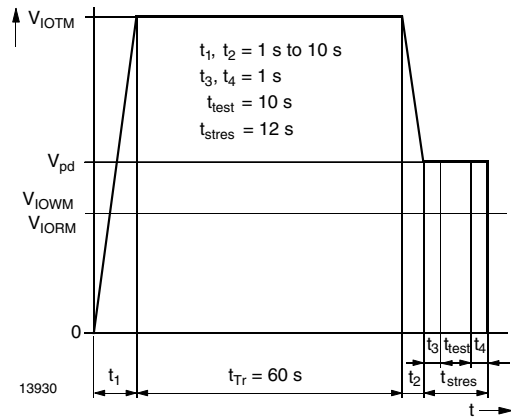


Fig. 5 - Test Pulse Diagram for Sample Test according to DIN EN60747-5-5/DIN EN60747-; IEC 60747



TYPICAL CHARACTERISTICS ($T_{amb} = 25\text{ }^{\circ}\text{C}$, unless otherwise specified)

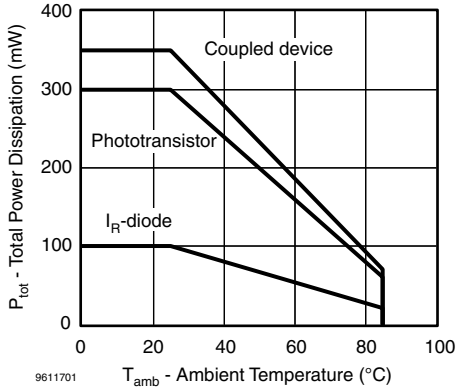


Fig. 6 - Total Power Dissipation vs. Ambient Temperature

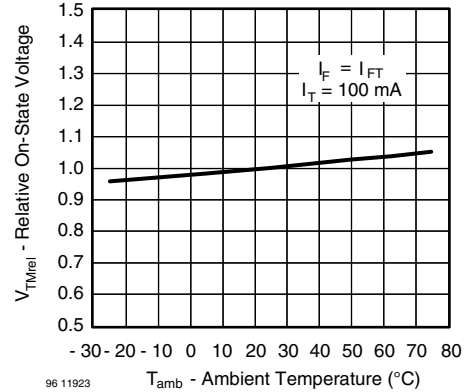


Fig. 9 - Relative On-State vs. Ambient Temperature

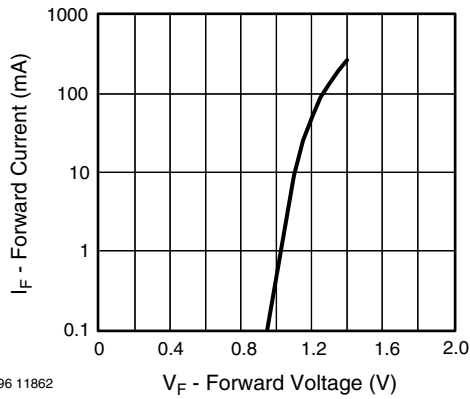


Fig. 7 - Forward Current vs. Forward Voltage

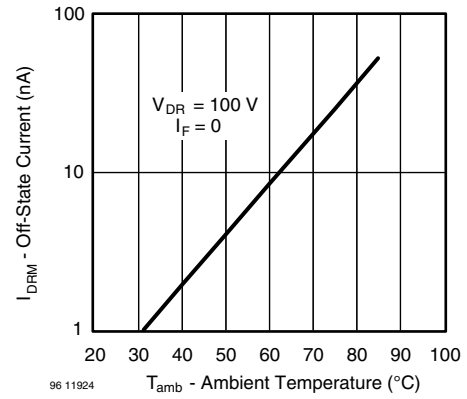


Fig. 10 - Off-State Current vs. Ambient Temperature

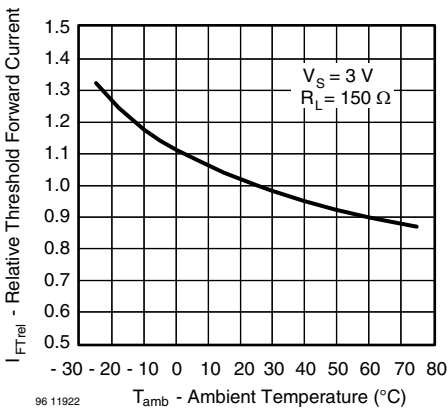


Fig. 8 - Relative Threshold Forward Current vs. Ambient Temperature

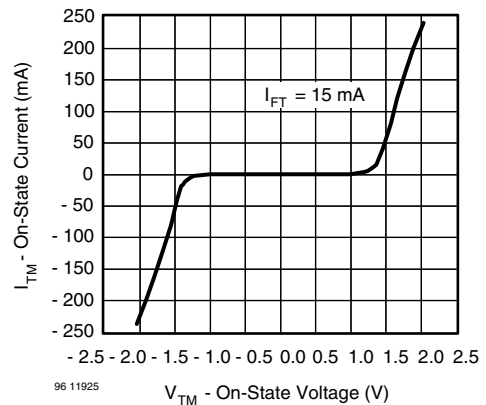
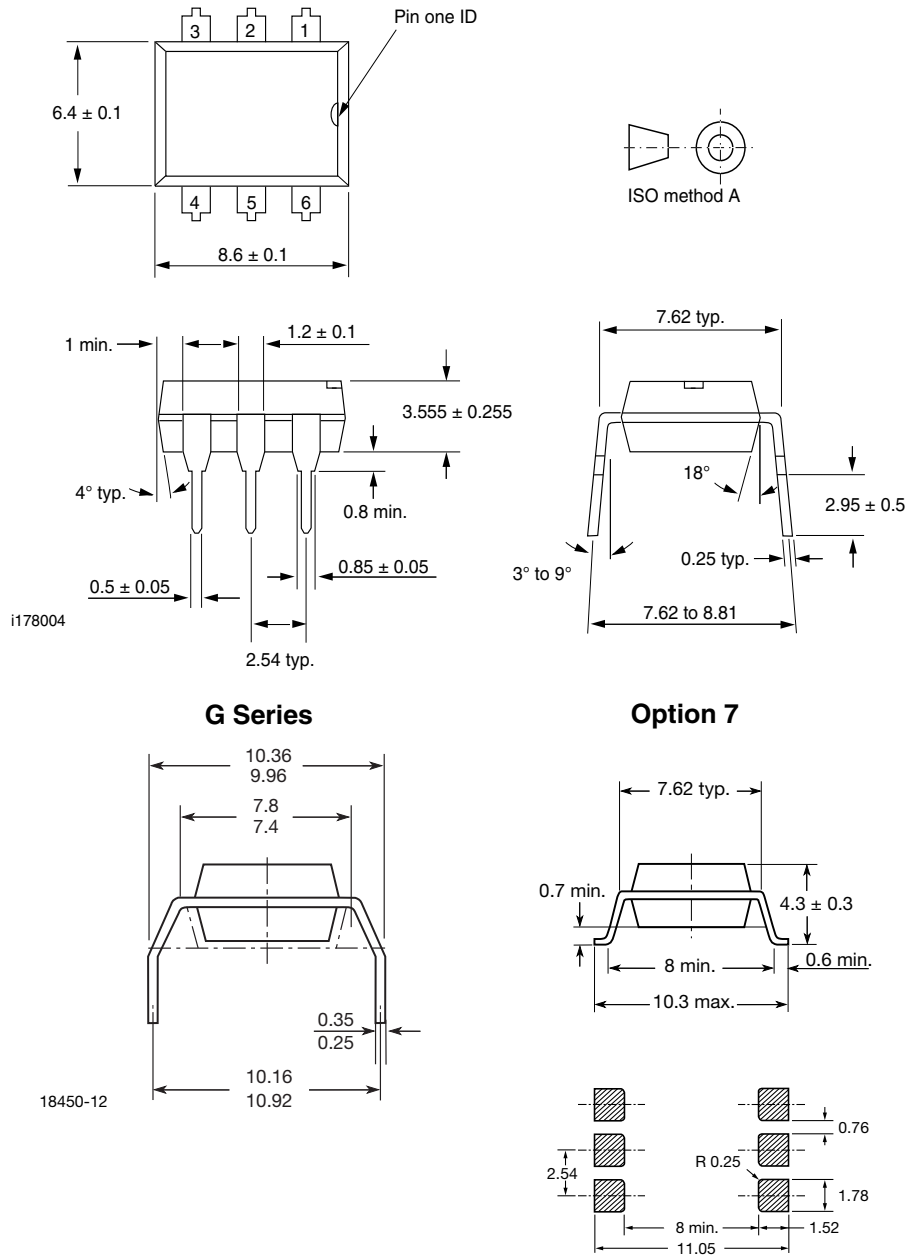


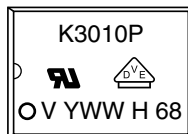
Fig. 11 - Collector Current vs. Forward Current



PACKAGE DIMENSIONS millimeters



PACKAGE MARKING (example)



Notes

- The "G" of the 400 mil G leadform type is not marked on the body.
- The VDE logo is only marked on option1 parts.



Disclaimer

ALL PRODUCT, PRODUCT SPECIFICATIONS AND DATA ARE SUBJECT TO CHANGE WITHOUT NOTICE TO IMPROVE RELIABILITY, FUNCTION OR DESIGN OR OTHERWISE.

Vishay Intertechnology, Inc., its affiliates, agents, and employees, and all persons acting on its or their behalf (collectively, "Vishay"), disclaim any and all liability for any errors, inaccuracies or incompleteness contained in any datasheet or in any other disclosure relating to any product.

Vishay makes no warranty, representation or guarantee regarding the suitability of the products for any particular purpose or the continuing production of any product. To the maximum extent permitted by applicable law, Vishay disclaims (i) any and all liability arising out of the application or use of any product, (ii) any and all liability, including without limitation special, consequential or incidental damages, and (iii) any and all implied warranties, including warranties of fitness for particular purpose, non-infringement and merchantability.

Statements regarding the suitability of products for certain types of applications are based on Vishay's knowledge of typical requirements that are often placed on Vishay products in generic applications. Such statements are not binding statements about the suitability of products for a particular application. It is the customer's responsibility to validate that a particular product with the properties described in the product specification is suitable for use in a particular application. Parameters provided in datasheets and / or specifications may vary in different applications and performance may vary over time. All operating parameters, including typical parameters, must be validated for each customer application by the customer's technical experts. Product specifications do not expand or otherwise modify Vishay's terms and conditions of purchase, including but not limited to the warranty expressed therein.

Except as expressly indicated in writing, Vishay products are not designed for use in medical, life-saving, or life-sustaining applications or for any other application in which the failure of the Vishay product could result in personal injury or death. Customers using or selling Vishay products not expressly indicated for use in such applications do so at their own risk. Please contact authorized Vishay personnel to obtain written terms and conditions regarding products designed for such applications.

No license, express or implied, by estoppel or otherwise, to any intellectual property rights is granted by this document or by any conduct of Vishay. Product names and markings noted herein may be trademarks of their respective owners.