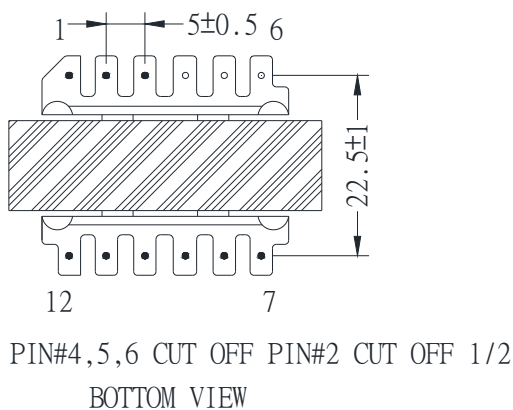
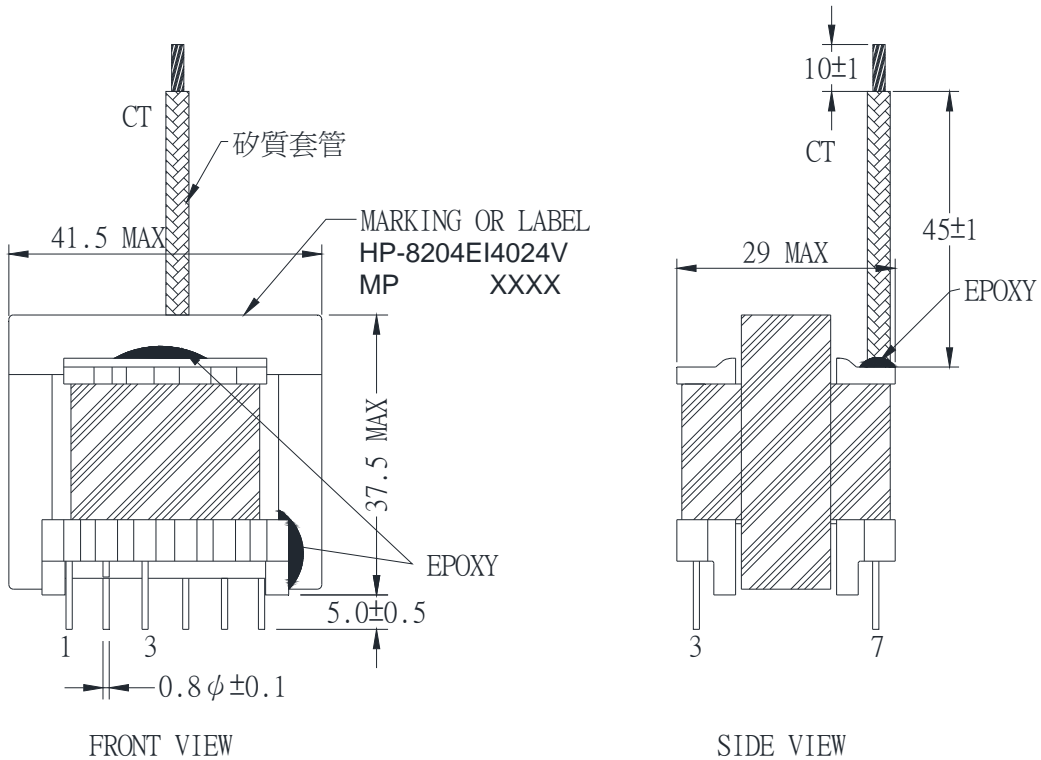


| | |
|------------------------|--------------------------|
| PART NAME: TRANSFORMER | PART NO.: HP-8204EI4024V |
| MODEL: EI40 | DESIGN NO.: N15-040-001 |

1. PHYSICAL DIMENSIONS (UNIT: m/m)



注:

1. CORE 固定膠帶 2Ts
2. CT 與 PIN1 側底部, PIN6 腳處需點 EPOXY 固定(3 點)
3. 成品後飛線統一彎向 PIN 7 側, 如圖示



SPECIFICATION FOR APPROVAL

| | |
|--|--------------------------|
| PART NAME: TRANSFORMER | PART NO.: HP-8204EI4024V |
| MODEL: EI40 | DESIGN NO.: N15-040-001 |
| 4.ELECTRICAL CHARACTERISTICS: | |
| 4-1. INDUCTANCE: (AT 1KHz 1.0V) L: (1-3): 5.4mH MIN | |
| 4-2. LEAKGE INDUCTANCE: | |
| 4-3. DCR: (AT: 25°C) R: (1-3): 326mΩ MAX R: (7-8): 222mΩ MAX R: (10-12): 84mΩ MAX | |
| 4-4. HI-POT: (AT 60Hz 5mA 1MIN) P-S: 3.0KV AC P-C: 1.5KV AC S-C: 1.5KV AC | |
| 4-5. INSULATION: PRI-SEC/PRI-CORE/SEC-CORE. 100M OHM MIN. AT 500VDC | |
| 4-6. TEST EQUIPMENT : (OR EQUIVALENT) | |
| <input checked="" type="checkbox"/> ZENTECH 9072A AC/DC WITHSTANDING VOLTAGE TESTER. | |
| <input checked="" type="checkbox"/> ZENTECH 1062A PRECISION LCR METER | |
| <input checked="" type="checkbox"/> ZENTECH 502AC MILLI OHM METER | |
| <input type="checkbox"/> ZENTECH 102 LCR IMPEDANCE METER | |
| <input type="checkbox"/> ZENTECH 9071A AC WITHSTANDING VOLTAGE TESTER | |
| <input type="checkbox"/> ZENTECH 1310 BIAS CURRENT SOURCE | |
| <input type="checkbox"/> ZENTECH 100 LCR METER | |
| <input type="checkbox"/> ZENTECH 3250 AUTOMATIC TRANSFORMER TEST SYSTEM | |